

INDEX: BUICK PARTS: GROUP NUMBERS

GROUP # 0.....	Engine - Clutch - Decals
GROUP # 1.....	Cooling - Oiling - Grills
GROUP # 2.....	Electrical - Lamps
GROUP # 3.....	Fuel - Carburetion - Exhaust
GROUP # 4.....	Transmission - Brakes
GROUP # 5.....	Wheels - Propeller Shaft - Rear Axle
GROUP # 6.....	Front Suspension - Steering
GROUP # 7.....	Frame - Springs - Shocks - Bumpers
GROUP # 8.....	Hood - Front Fenders - Running Boards
GROUP # 9.....	Heater - Air Conditioner - Firewall - Radio, Antenna
GROUP #10.....	Glass - Doors - Cowl - Weatherstrip - Wiper - Dash
GROUP # 11.....	Rear 1/4 Glass - Seats - Door Sills - Dome Lenses
GROUP # 12.....	Rocker Panels - Sheet Metal - Deck Lid
GROUP # 13.....	Convertible Tops & Parts
GROUP #14.....	Door Panels - Misc. Interior - Headlinings
GROUP #15.....	Carpet - Floor Mats - Trunk Linings
GROUP #16.....	Literature

-ATTENTION-

This catalog pertains to
1961-1972 Special, Skylark, Sportwagon and Gran Sport only.

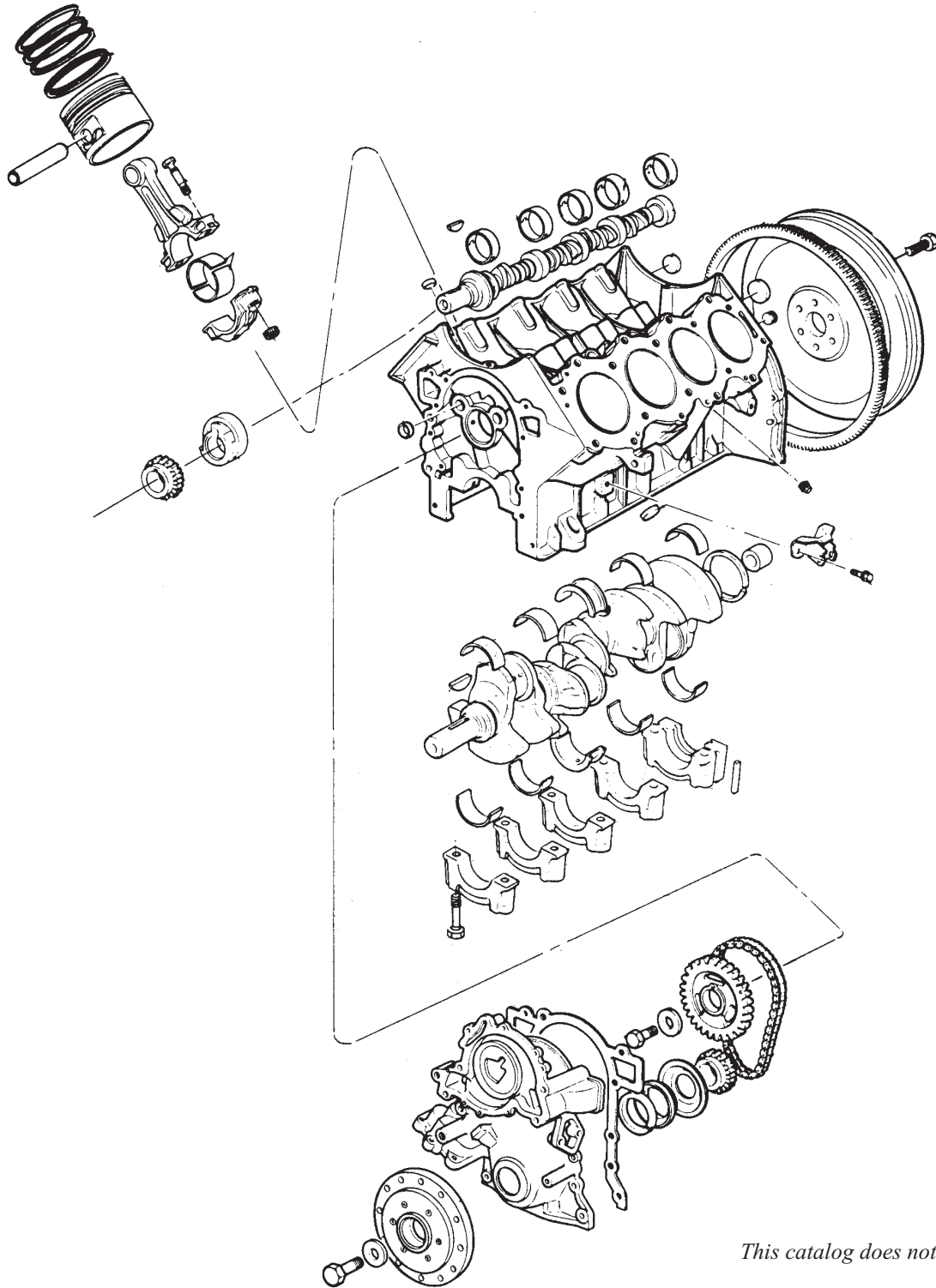
We also stock Buick parts for:

1936-1960 All models
1961-1975 Lesabre, Invicta, Wildcat, Electra 225,
Centurion, Century, Apollo and Regal
1963-1975 Riviera
1978-1987 Regal, Grand National, T-Type

Please inquire about separate catalogs for the above Buicks

All rights reserved. No part of this publication may be reproduced without prior written permission from CARS, Inc. Illustrations in this catalog are representations only and may not depict any particular part or part number.. Prices subject to change without notice.

Typical Buick Engine



*This catalog does not pertain to 1968-
1972 L6 motors.
Unless Specifically noted.*

Engine Parts (Group 0)



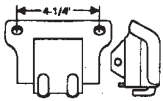
Motor Mounts

(.027)



1961-1963 198 and 215 engines.	
MM-613.....	\$ 64.50 pr.
1965-1967 300 and 340 engines.	
MM-657.....	\$ 43.50 pr.
1967-1976 400 & 455 engines. All with four hole flange	
MM-676.....	\$ 52.25 pr.
1968-1972 250 engine.	
MM-682.....	\$ 52.25 pr.
1968-1980 350 engine.	
MM-685.....	\$ 52.25 pr.

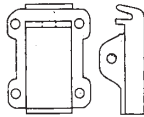
Motor Mount Rebuilding Services



1964 All 225 V-6 & 300 V-8. There are two types. This is not the interlocking type.

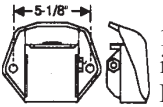
MM-64	\$156.50 pr.
-------------	--------------

1965-1966 400 engine.	
MM-656RS.....	\$100.75 pr.



1965-1967 V-6 w/o a.c.	
MM-657V6.....	\$ 185.50 pr.

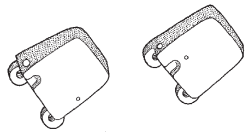
1965-1967 V-6 with a.c.	
MM-657V6A	\$ 185.50 pr.



1967 GS There are two types. This is not the interlocking type.

MM-670	\$100.50 pr.
--------------	--------------

Big Block Conversion



1968-1972 All. Motor Mount frame pads for conversion from 350 to 400 or 455 engines.

FP-455.....	\$ 89.50 pr.
-------------	--------------

Main Bearing Sets



1961-1963 215 engine.	
MBS-613.....	\$ 114.50 ea.
1962-1963 198 engine.	
MBS-623	\$ 100.00 ea.
1964-1967 300 engine.	
MBS-647	\$ 100.00 ea.
1964-1967 225 engine.	
MBS-647S	\$ 59.50 ea.
1965-1966 400 engine.	
MBS-596	\$ 96.75 ea.
1966-1980 340 and 350 engine.	
MBS-666	\$ 80.00 ea.
1967-1969 400 engine.	
MBS-679	\$ 81.00 ea.
1968-1972 250 engine.	
MBS-685	\$ 60.50 ea.
1970-1976 455 engine.	
MBS-706	\$ 96.50 ea.

Valves

1964 225 and 300 engines (EXHAUST).

EV-64.....	\$ 18.25 ea.
------------	--------------

1964 225 and 300 engines (INTAKE).

IV-64.....	\$ 18.25 ea.
------------	--------------

1965-1966 400,401 engine (INTAKE).

IV-596.....	\$ 13.75 ea.
-------------	--------------

1965-1966 400,401 engine (EXHAUST).

EV-596	\$ 16.50 ea.
--------------	--------------

1965-1967 300 & 340 engines (INTAKE).

IV-657	\$ 15.50 ea.
--------------	--------------

1965-1967 225, 300 & 340 engines (EXHAUST).

EV-657	\$ 18.25 ea.
--------------	--------------

1967-1976 400 and 455* eng. (INTAKE). * Except GS STAGE I.

IV-676	\$ 11.50 ea.
--------------	--------------

1967-1972 400, 455* eng (EXHAUST). * Except GS STAGE I.

EV-674	\$ 14.75 ea.
--------------	--------------

1968-1972 250 engine (INTAKE).

IV-686	\$ 13.75 ea.
--------------	--------------

1968-1970 250 engine (EXHAUST).

EV-680	\$ 15.50 ea.
--------------	--------------

1968-1980 350 engine (EXHAUST).

EV-683	\$ 18.25 ea.
--------------	--------------

1971-1972 250 engine (EXHAUST).

EV-716	\$ 15.00 ea.
--------------	--------------

1968-1980 350 engine (INTAKE).

IV-680	\$ 10.00 ea.
--------------	--------------

1971-1972 455 STAGE 1 (INTAKE).

IV-714	\$ 17.00 ea.
--------------	--------------

Valve Guides

1961-1963 215 engine (INTAKE).

VG-880.....	\$ 2.75 ea.
-------------	-------------

1961-1963 215 engine (EXHAUST).

VG-880.....	\$ 2.75 ea.
-------------	-------------

1962-1963 198 engine (INTAKE).

VG-7259.....	\$ 2.75 ea.
--------------	-------------

1962-1963 198 engine (EXHAUST).

VG-7259	\$ 2.75 ea.
---------------	-------------

1964-1967 225 engine (INTAKE).

VG-6105.....	\$ 2.75 ea.
--------------	-------------

1964 225 engine (EXHAUST).

VG-6105	\$ 2.75 ea.
---------------	-------------

1965 400 engine (INTAKE).

VG-733	\$ 4.00 ea.
--------------	-------------

1965 400 engine (EXHAUST).

VG-733	\$ 4.00 ea.
--------------	-------------

1965-1967 225 engine (EXHAUST).

VG-7460.....	\$ 2.00 ea.
--------------	-------------

1965-1967 300 and 400 engines (INTAKE).

VG-5607.....	\$ 2.75 ea.
--------------	-------------

1965-1967 300 and 340 engines (EXHAUST).

VG-7460	\$ 3.50 ea.
---------------	-------------

1966 400 engine (INTAKE).

VG-937	\$ 2.75 ea.
--------------	-------------

1967-1972 400 and 455 engines (INTAKE).

VG-6113	\$ 2.75 ea.
---------------	-------------

1967-1972 400 and 455 engines (EXHAUST).

VG-6114	\$ 2.75 ea.
---------------	-------------

1968-1972 250 engine (INTAKE).

VG-6867.....	\$ 2.75 ea.
--------------	-------------

1968-1972 250 engine (EXHAUST).

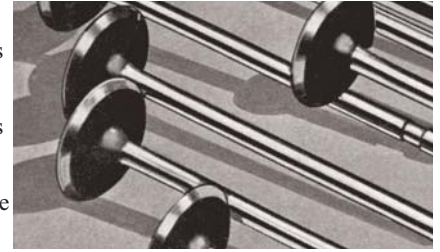
VG-5607.....	\$ 2.75 ea.
--------------	-------------

1968-1972 350 engine (INTAKE).

VG-6108.....	\$ 2.75 ea.
--------------	-------------

1968-1972 250 engine (EXHAUST).

VG-6113	\$ 2.75 ea.
---------------	-------------



Engine Parts (Group 0)

Valve Springs and Sets

1961-1964 198, 215, 225 and 300 engine.	
VS-614.....	\$ 4.25 ea.
Set: Sixteen (16) same as above.	
VS-614S.....	\$ 56.25 set
1965-1966 400 engine (INNER).	
VS-536.....	\$ 4.00 ea.
1965-1966 400 engine (OUTER).	
VS-596.....	\$ 4.50 ea.
Set: Sixteen (16) same as above.	
VS-596S.....	\$ 63.75 set
1965-1967 225,300 and,340.	
VS-657.....	\$ 4.50 ea.
Set: Sixteen (16) same as above.	
VS-657S.....	\$ 64.75 set
1967-1972400,455 (Exc. Hvy Duty, & GS STAGE I).	
VS-672.....	\$ 4.00 ea.
Set: Sixteen (16) same as above.	
VS-672S.....	\$ 52.75 set
1968-1974	
1968-1970 350 engine Int. & Exh.;	
1971 350 Int.;	
1972-1974 Int. & Exh.	
VS-684.....	\$ 2.75 ea.
Set: Sixteen (16) same as above.	
VS-684S.....	\$ 42.75 set
1971 350 with Damper (Exhaust).	
VS-71D.....	\$ 4.75 ea.

Valve Spring Caps

1967-1972	
1967 400 engines;	
1968-1972 All.	
VC-675.....	\$2.25 ea.
Set of 16 - same as above specs.	
VC-675S.....	\$29.00 set

Valve Spring Retainers (.310)

1965-1966 All 400,401,425 engines;	
1967-1975 all V-8 engines. 32 pairs needed per car.	
VR-365.....	\$2.50 pr.
VR-365S.....(set of 32).....	\$36.50 set

Valve Lifters (Hydraulic)



1961-1967	
1961-1966: All;	
1967: 300 and 340 engines.	
VL-567.....	\$9.50 ea.
VL-567S.....(Set of 16).....	\$124.50 set
1967-1969	
1967-1969 400,430 engine;	
1968-1969 350 engine (with hollow push rods).	
VL-679.....	\$6.50 ea.
VL-679S.....(Set of 16).....	\$99.00 set
1970-1981 All 350 and 455 engines.	
VL-680.....	\$5.75 ea.
VL-680S.....(Set of 16).....	\$79.50 set

Valve Seat Inserts and Sets

*(Sold in sets of 12 or 16
as needed for your Buick)*

1962-1963 198 engine (intake).	
VSI-590.....	\$ 4.00 ea.
1962-1963 198 engine (exhaust).	
VSI-623.....	\$ 3.50 ea.
1961-1963 215 engine (exhaust).	
VSI-614.....	\$ 3.50 ea.
1961-1963 215 engine (intake).	
VSI-590.....	\$ 4.00 ea.
1964-1967 225, 300 engine (intake).	
VSI-648.....	\$ 7.25 ea.
1968-1972 250 engine (intake).	
VSI-682.....	\$ 4.50 ea.
1965-1967 225 engine (exhaust).	
VSI-557.....	\$ 4.00 ea.
1964 225 & 300 engine (exhaust).	
VSI-614.....	\$ 3.50 ea.
1968-1972 250 engine (exhaust).	
VSI-572.....	\$ 4.00 ea.
1965-1966 400 engine (intake).	
VSI-592.....	\$ 4.00 ea.
1965-1966 400 engine (exhaust).	
VSI-590.....	\$ 4.00 ea.
1965-1967 300 and 340 engine (intake).	
VSI-657.....	\$ 5.25 ea.
1965-1967 300 and 340 engine (exhaust).	
VSI-557.....	\$ 4.00 ea.
1967-1969 400 engine (intake).	
VSI-674N.....	\$ 6.50 ea.
1970-1972 455 engine (intake).	
VSI-674.....	\$ 7.75 ea.
1967-1969 400 engine (exhaust).	
VSI-648E.....	\$ 4.00 ea.
1970-1972 455 engine (exhaust).	
VSI-704.....	\$ 4.50 ea.
1968-1972 350 engine (intake).	
VSI-592.....	\$ 4.00 ea.
1968-1972 350 engine (exhaust).	
VSI-590.....	\$ 4.00 ea.

Valve (Stem) Seals

1961-1972	
1961-1963 198 and 215 engine;	
1964-1967 225 and 300 engine;	
1966-1967 340 engine;	
1968-1972 250 engine.	
VSS-612.....	\$ 2.25 ea.
1967-1972	
1967-1969 400 engine;	
1968-1972 350 engine;	
1970-1972 455 engine.	
VSS-674.....	\$ 2.25 ea.
1965-1966 400 engine.	
VSS-536.....	\$ 2.25 ea.

Valve Cover / Intake Manifold Ventilation Grommets



1963-1974	
1963-1967: Valve Cover, All;	
1967-1974: Intake Manifold, All.	
VG-634.....	\$ 7.50 ea.
1970-1974 Valve Cover (Rubber).	
VG-704.....	\$ 4.00 ea.

Engine Parts (Group 0)

Rocker Arm Shafts

1961-1967 215, 300 and 340 engines.

RS-617.....	\$ 64.50 ea.
1962-1967 All V-6.	
RS-627.....	\$ 54.50 ea.
1965-1966 400 engines.	
RS-536.....	\$54.50 ea.
1967 400 engine.	
RS-67.....	\$ 54.50 ea.
1968-1969 350 engine.	
RS-689S.....	\$ 43.50 ea.
1968-1969 400, 430 engine.	
RS-689.....	\$ 54.50 ea.
1970-1972 350 engine.	
RS-700.....	\$ 76.50 ea.
1970-1972 455 engine.	
RS-705.....	\$ 55.00 ea.

Rocker Arms

1961-1967 198, 215,225,300 and 340 engines.

RA-617.....	\$ 30.50 ea.
1965-1967 400 engine.	
RA-657.....	temp. out
1968-1969 350, 400 intake 1,4,5,8, exhaust 2,3,6,7.	
RA-689A.....	\$ 16.50 ea.
1968-1969 350, 400 intake 2,3,6,7, exhaust 1,4,5,8.	
RA-689B.....	\$ 16.50 ea.
1968-1969 Complete Set of 16.	
RA-689S.....	\$259.00 ea.
1970-1972 V-8 intake 1,4,5,8 exhaust 2,3,6,7.	
RA-705A.....	\$ 8.25 ea.
1970-1972 V-8 intake 2,3,6,7 exhaust 1,4,5,8.	
RA-705B.....	\$ 8.25 ea.
1970-1972 Complete Set of 16.	
RA-705S.....	\$105.25 ea.

Rocker Arm Sets

1970-1972 350, 455 engines.

RA-705S.....	\$105.25 ea.
--------------	--------------

Rocker Arm Assembly

1961-1967 215, 300, 340 engines.

RAA-617.....	\$ 206.75 ea.
1962-1967 198, 225 engines.	
RAA-627.....	\$ 94.50 ea.
1970-1972 350 engine.	
RAA-704.....	\$160.00 ea.
1970-1972 455 engine.	
RAA-702.....	\$133.75 pr.

Rocker Assembly Rebuilding

1961-1967 All 215, 300, and 340 engines.

RAA-617.....	\$265.00 pr.
1961-1966 All 364, 400, 401, and 425 engines.	
RAA-596.....	\$299.50 pr.
1967-1972 All 400, 430, 455 engines.	
RAA-676.....	\$265.00 pr.
1968-1972 All 350 engines.	
RAA-680.....	\$265.00 pr.

Rocker Arm Retainers

1970-1972 All. Rocker arm retainers. For use with aluminum rocker arms. 16 per car. Nylon

RR-702.....	\$1.75 ea.
-------------	------------

Aluminum Valve Covers



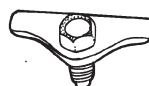
1963 thru 1966 all 400,401,425 engines. Grooved with "BUICK" as original. Nice reproduction!
AVC-536.....\$299.00 pair



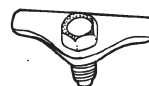
1963-1966 all with Aluminum Valve Covers. Chrome Plated.
WRS-636\$34.50 pair



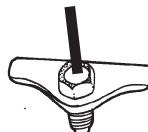
Powder coated so not to flake, peel or chip. Tall valve covers allow use of adjustable roller rockers, large valves, springs and retainers. Thick aluminum construction allows for even gasket compression and proper sealing. Will not bend, dent or distort. Results in reduced engine noise and heat.
AVC-350.....(350 Engines)\$169.00 pair
AVC-455....(1967-1976 400,430,455 Engines).....\$169.00 pair



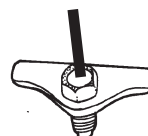
1967-1975 Valve cover retaining nut and plate.
RCS-686.....\$3.50 ea.



1967-1975 Valve cover retaining nut and plate. Chrome Plated
RCS-686C.....\$5.00 ea.



1967-1975 Valve cover retainer with Tall Stud.
RCS-686T\$5.00 ea.



1967-1975 Valve cover retainer with Tall Stud. Chrome Plated
RCS-686TC.....\$5.50 ea.

Rocker Cover Plug

1964-1967 Solid plug.
CP-647.....\$11.50 ea.



Engine Parts (Group 0)

Push Rods (.426)

1962-1963 ALL 198 V-6 engines.

PR-573.....\$7.50 ea.
PR-613S6.....(Set of 12).....\$ 73.50 set

1961-1963 215 engines.

PR-613.....\$ 5.50 ea.
PR-613S8.....(Set of 16).....\$ 77.25 set

1964 225 and 300 engines.

PR-64.....\$ 3.50 ea.
PR-64S6.....(Set of 12).....\$ 39.00 set
PR-64S8.....(Set of 16).....\$ 51.50 set

1965-1967

1965-1967: 225 and 300 engines;

1965-1966: 400,401,425 engines.

PR-597.....\$ 5.50 ea.
PR-597S.....(Set of 16).....\$77.25 set
PR-657S.....(Set of 12).....\$ 59.00 set

1966-1969

1966-1967: 340 engine;

1967-1969: 400,430 engines except 1969 Stage 1

PR-669.....\$ 3.50 ea.
PR-669S.....(Set of 16).....\$ 57.50 set

1967-1969 400 engine Heavy Duty & GS STAGE 1

PR-679H.....\$5.50 ea.
PR-679HS.....(Set of 16).....\$ 77.25 set

1968-1969 350 engine.

PR-689.....\$ 3.95 ea.
PR-689S.....(Set of 16).....\$57.50 set

1970-1981 350 Engine.

PR-701.....\$3.95 ea.
PR-701S.....(Set of 16).....\$57.50 set

1970-1976 455 engine.

PR-706.....\$ 3.95 ea.
PR-706S.....(Set of 16).....\$57.50 set

Oil Slinger

1961thru 1972 all

OS-615.....\$11.50 ea.

Push Rod Cover Gaskets (.443)

1965-1966 400, 401 engine.

PRG-576.....\$9.50 ea.

Freeze Plug Kits

Kits contain necessary plugs for block,
cam, oil holes. "B" kits contain Brass water jacket plugs

1961-1963 All 196 engines. Steel

FPK-618\$8.50 ea.

1961-1963 All 196 engines. Brass.

FPK-618B.....\$9.50 ea.

1964-1980 All 225, 300, 340 and 350 engines. Steel

FPK-640\$9.25 ea.

1964-1980 All 225, 300, 340 and 350 engines. Brass

FPK-640B.....\$9.25 ea.

1965-1966 All 400,401,425 engines. Steel

FPK-536\$17.50 ea.

1967-1976 All 400, 430 and 455 engines. Steel

FPK-670\$9.25 ea.

1967-1976 All 400, 430 and 455 engines. Brass

FPK-670B.....\$15.00 ea.

Engine Parts (Group 0)



Camshafts

1961-1963 215 engine.	
CS-613	\$ 157.75 ea.
1962-1963 198 engine.	
CS-627	\$ 116.50 ea.
1964-1967 225 V-6.	
CS-648	\$ 125.75 ea.
1964-1967 300 and 340 engines.	
CS-649	\$ 149.00 ea.
1965-1966 400 engine.	
CS-576	\$ 139.50 ea.
1967-1972 *400 and 455 engine. *Except GS STAGE I and STAGE II	
CS-676	\$ 155.25 ea.
1968-1972 250 engine.	
CS-686	\$ 118.75 ea.
1968-1972 350 engine.	
CS-680	\$ 127.25 ea.
1969-1972 400 and 455 STAGE I engine.	
CS-694	<i>Inquire</i>
All Years. All Engines. Cam break-in Lube.	
CL-300.....	\$6.50 ea.

Cam Bearing Sets

1962-1967 198 and 225 engine.	
CBS-627.....	\$ 32.00 ea.
1965-1966 340 and 400 engine.	
CBS-576.....	\$ 45.00 ea.
1968-1972 250 engine.	
CBS-685.....	\$ 35.75 ea.
1961-1966 215, 300; 1967 340 engine.	
CBS-617.....	\$ 47.50 ea.
1967 400; 1968-1972 All V-8.	
CBS-676.....	\$ 52.25 ea.

Connecting Rods (includes bolts):

1964-1967 225 and 300 engines.	
CR-647.....	\$ 54.50 ea.
1965-1966 400 engines.	
CR-596.....	\$ 32.50 ea.
1966-1972 340 and 350 engines.	
CR-662.....	\$ 42.25 ea.
1967-1972 400 and 455 engines.	
CR-672.....	\$ 56.75 ea.
1968-1972 250 engine.	
CR-682.....	\$ 38.00 ea.

Rod Bearings

1961-1972 198, 215, 225,300, 340 and 350 engines.	
CRB-612.....	\$ 8.75 ea.
1965-1972 400 and 455 engines.	
RBS-576.....	\$ 69.00 set
1968-1972 250 engine.	
CRB-682.....	\$ 6.25 ea.

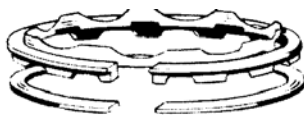
Pistons (pins included)

1963-1966 All 400, 401 engines. Piston and pin.	
P-401.....	\$54.50 ea.
P-401S.....(Set of 8)	\$375.00 set
1963-1966 All 425 engines. Piston and pin.	
P-425.....	\$54.50 ea.
P-425S.....(Set of 8)	\$375.00 set
1964-1967 225 and 300 engines.	
P-647.....	\$ 49.50 ea.
1970-1976 All 455 engines. Piston and pin.	
P-706.....	\$54.50 ea.
P-706S	\$375.00 set

Engine Parts (Group 0)

Piston Ring Sets

Our piston ring are available in standard and custom sizes such as .030, .040, .060 oversize. Add "030" etc. to part number.



1961-1963 198 V-6 Engine.
 PRS-613.....\$ 161.00 ea.

1961-1963 215 V-8 Engine.
 PRS-215C Standard,30,40.....\$ 54.50 ea.
 PRS-215M Street/Strip Premimun Moly. Std,30\$ 69.50 ea.

1964-1967 225 engine.
 PRS-225C Cast Iron. Standard,20,30,40,60.....\$ 49.50 ea.
 PRS-225M Street/Strip Premimun Moly. Std,20,30,40,60\$ 72.50 ea.

1964-1967 300,340 engine.
 PRS-647C Cast Iron. Standard,30,40,60.....\$ 49.50 ea.
 PRS-647M Street/Strip Premimun Moly. Std,20,30,40,60\$ 72.50 ea.

1967-1969 400 engine.
 PRS-400C Cast Iron. Standard,30,40.....\$ 54.50 ea.
 PRS-400M Street/Strip Premimun Moly. Std.,30,40,60\$ 69.00 ea.

1968-1981 350 engine.
 PRS-350M.....(Moly).....\$ 64.50 ea.

1970-1976 455 engine.
 PRS-455C Cast Iron. Standard, 30.....\$ 64.50 ea.
 PRS-455M Street/Strip Premimun Moly. Std,30,40,60\$ 89.50 ea.

Flywheels (.666)

For automatic & std. transmission
 (includes Ring Gear).

1961-1963.....Please inquire

1964-1980 300, 340 and 350 engines with auto. trans.
 FW-645.....\$49.50 ea.

1964-1966 All 400, 401 & 425 engines with auto. transmission
 FW-646.....\$133.75 ea.

1967-1972 All. 400, 455 engines with auto transmission.
 FW-676.....\$96.75 ea.

1967-1972 All. 400, 455 engines with std. transmission.
 FW-676S.....\$289.50 ea.

Harmonic Blancers

1967 thru 1976 all 400,430,455 engines. Sold outright
 HB-676\$249.00 ea.

Harmonic Balancer Rebuilding Serevice (.659)

Balancers are completely disassembled shot peened and inspected. Threaded holes are repaired and new seal saver is installed.(non-rope seal apps.). New silicone rubber is injected, then vulcanized for proper bonding. Please remove any bolted pulleys before sending. For those not listed, please inquire.



1961-1963 All 215 V-8 engines. Riveted Type
 HB-215RS\$155.50 ea.

1961-1966 All 400,401 engines. Riveted Type
 HB-401RS\$155.50 ea.

1963-1966 All 425 engines. Riveted hub seal dia. 2.00 inches, 1.440 id.
 HB-425RS\$155.50 ea.

1964-1967 All 225 V-6 engines.
 HB-225RS\$87.50 ea.

1964-1981 All 300,340,350 engines. .750 wide ring externally balanced hub & ring.
 HB-350RS\$87.50 ea.

1967-1976 400,430,455 engine. 1.100 wide ring. Externally balanced.
 HB-455RS\$111.50 ea.

Harmonic Balancer Bolt

1967-1972 All 400,430,455 engines.
 HBB-676.....\$9.50 ea.

Engine Parts (Group 0)

Timing Chain Cover

1967-1976 All 400, 430 and 455 engine. Includes front seal
 TC-676\$ 465.00 ea.



Timing Cover Seals

Our modern steel housed, silicon seals replace the OEM "rope" seal and steel retainer. A spring insert keeps pressure against balancer for improved sealing.

1961-1966 All 400,401,425 engines
 TCS-536L.....\$ 11.50 ea.
 1961-1967 All 215,300,340 engines
 TCS-617\$ 11.50 ea.
 1964-1972 All 350 engines.
 TCS-640\$ 11.50 ea.
 1967-1972 All 400, 430, and 455 engines.
 TCS-650\$ 16.50 ea.

Valve Cover Gaskets

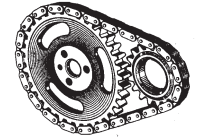
1961-1967 215, 300 and 340 engines.
 VCG-617\$ 18.25 pr.
 1962-1967 198 and 225 V-6 engines.
 VCG-627\$ 21.50 pr.
 1967-1972 400 and 455 engines.
 VCG-676\$ 14.25 pr.
 1968-1972 350 engines.
 VCG-686\$ 11.00 pr.

Rear Main Seals

Replaces OEM "rope" seal.
 1964-1972 All 225, 300, 340, and 350 engines.
 RMS-640\$ 17.50 ea.
 1965-1972 All 400, 430 and 455 engines.
 RMS-650\$24.50 ea.



Timing Sets With Iron Cam Gear

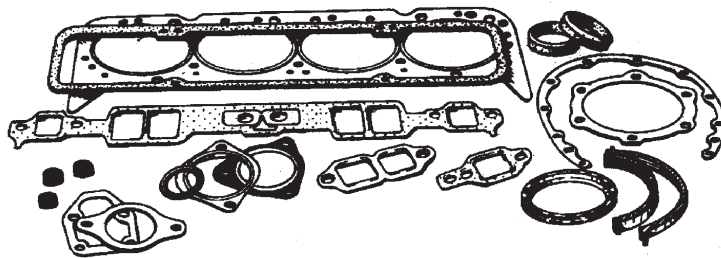


1961-1972 198, 215, 225, 300, 340 and 350 engine.
 TS-610.....\$ 21.50 ea.
 1965-1966 400 engine.
 TS-656.....\$ 103.00 ea.
 1967 400 engine early.
 TS-67E\$ 68.00 ea.
 1967-1972
 1967 400 late;
 1968-1972 400 and 455 engine.
 TS-676.....\$ 54.50 ea.

Timing Cover Gasket Sets

(Sets Contain new rubber lip seal)
 1961-1963 Special & Skylark.
 TCS-613\$ 24.50 set
 1965-1966 All 400 engines
 TCS-536\$24.50 set
 1964-1976 All 300, 340, 350 engines
 TCS-646\$24.50 set
 1967-1972 400 and 455 engines.
 TCS-676\$ 24.50 set

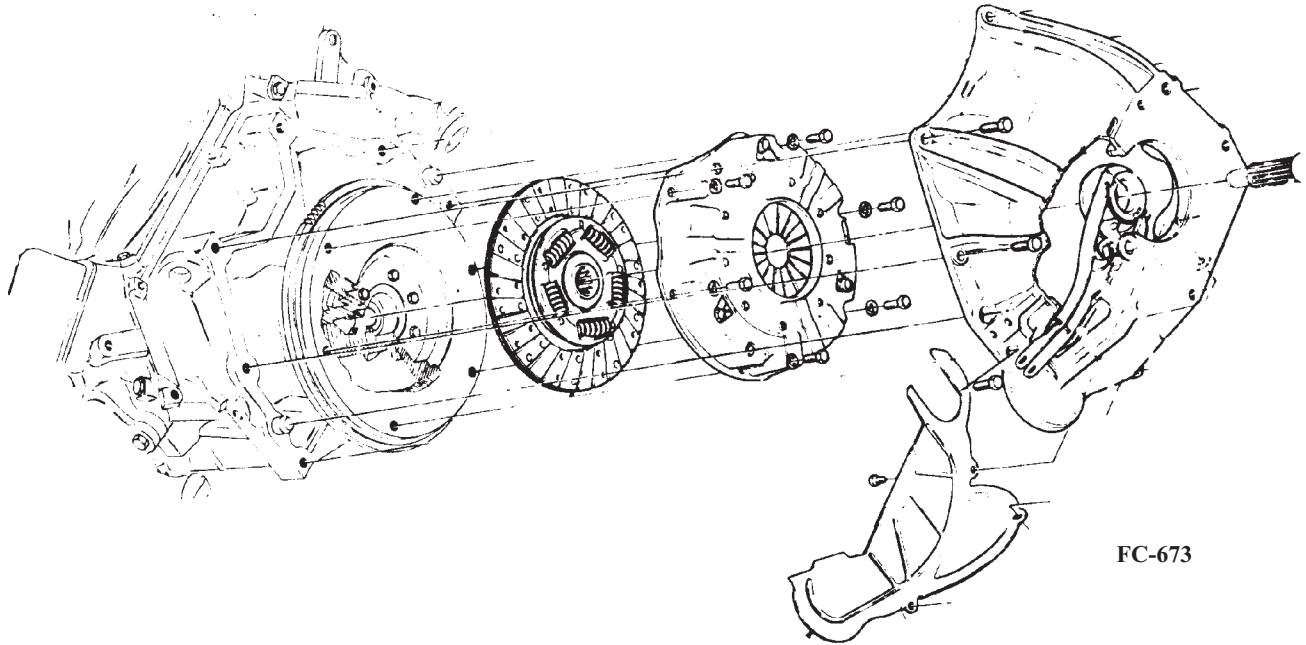
Engine Gaskets (Group 0)



YEAR	APPLICATION	FULL ENGINE OVERHAUL SET	CYLINDER HEAD OVERHAUL SET	CYLINDER HEAD GASKETS
1961-1963	215 V-8 engine.....	FGS-613...\$107.50	HGS-613..\$54.50	HG-613....\$30.25 pr.
1962-1963	198 V-6 engine.....	FGS-623...\$107.50	HGS-623..\$54.50	HG-623....\$20.25 pr.
1964-1967	225 V-6 engine.....	FGS-647A..\$89.00	HGS-647A..\$43.50	HG-647A..\$20.25 pr.
1964-1967	300, 340 engine.....	FGS-647B..\$91.25	HGS-647B..\$69.00	HG-647B..\$57.50 pr.
1965-1966	400 engine.....	FGS-576....\$99.50	HGS-576...\$74.50	HG-576....\$54.50 pr.
1967-1972	400, 455 engine *.....	FGS-676....\$80.50	HGS-676...\$49.50	HG-676....\$39.50 pr.
1968-1972	350 engine *.....	FGS-686....\$83.25	HGS-686...\$40.25	HG-686....\$35.75 pr.

* Intake manifold gasket not included. To order, please see Group 3.

Clutch Parts (Group 0)



FC-673

Pressure Plate Assemblies

New - GM

1964-1972 300, 340 and 350 engines.
PP-643.....\$ 204.00 ea.

1967-1972 400 and 455 engines.
PP-673.....\$ 204.00 ea.



Lower Flywheel Cover

1967-1972 300, 340, 350 and 455 engines with standard shift
FC-673.....\$ 69.00 ea.

Pilot Bearing

1961-1972 All.
PB-570.....\$ 6.00 ea.

Clutch Discs



1961-1972
Please inquire about our Rebuilding Service.

Clutch Fork

1966-1972 340 and 350 engines.
CF-662.....NLA

Clutch Release Bearings

1968-1972 350 engines.
TB-685.....\$ 43.50 ea.

1961-1972
1961-1963: All;
1967-1972: 400 and 455 engines.
TB-615.....\$ 32.50 ea.

1964-1967 225, 300 and 340 engines.
TB-647.....\$ 43.50 ea.

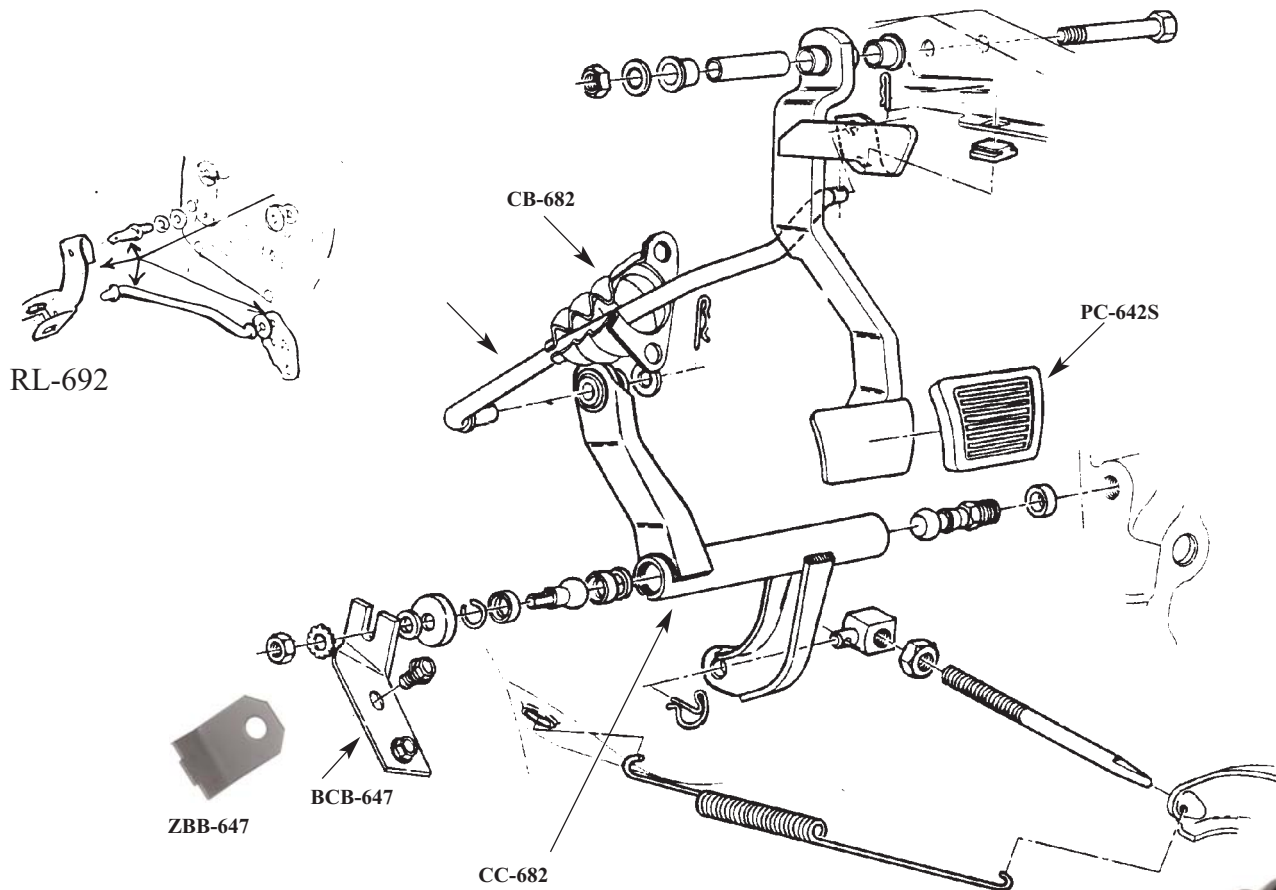
"Stick" Flywheel ^(.666)

1967-1972 All. 400, 455 engines with std. transmission.
FW-676S.....\$223.00 ea.

Bell Housing

1970-1972 All. 400, 455 engines with std. transmission.
.....\$ ea.

Clutch Parts (Group 0)



Clutch Adjusting Rods

1964-1966 All. Upper Clutch Rod. 14 1/8"	
CR-646.....	\$ 29.00 ea.
1967 All. Upper Clutch Rod. 14 3/8"	
CR-67.....	\$ 29.00 ea.
1968-1972 all 400, 455 enigs. Upper Clutch Rod. 14 7/8".	
CR-685.....	\$ 29.00 ea.

Clutch Pedal

1964-1972 All. (Same Brake Pedal).	
PC-642S.....	\$ 10.50 ea.

Bell Crank Support Bracket

1964 thru 1967 all. Weld on.	
BCB-647.....	\$13.75 ea.
1968 thru 1972 all. Bolt on	
BCB-682.....	\$16.50 ea.
1964-1967 Z-Bar return spring Bracket.	
ZBB-647.....	\$18.50 ea.

Clutch Boots

1964-1972 Clutch Fork to Bell housing.	
CB-642.....	\$ 14.75 ea.
1964-1967 Clutch Rod to Firewall.	
CB-647.....	\$ 12.50 ea.
1968-1972 Clutch Rod to Firewall.	
CB-682.....	\$ 13.50 ea.

Bell Crank

1968-1972 All 400 and 455 engines.	
CC-682.....	\$73.00 ea.

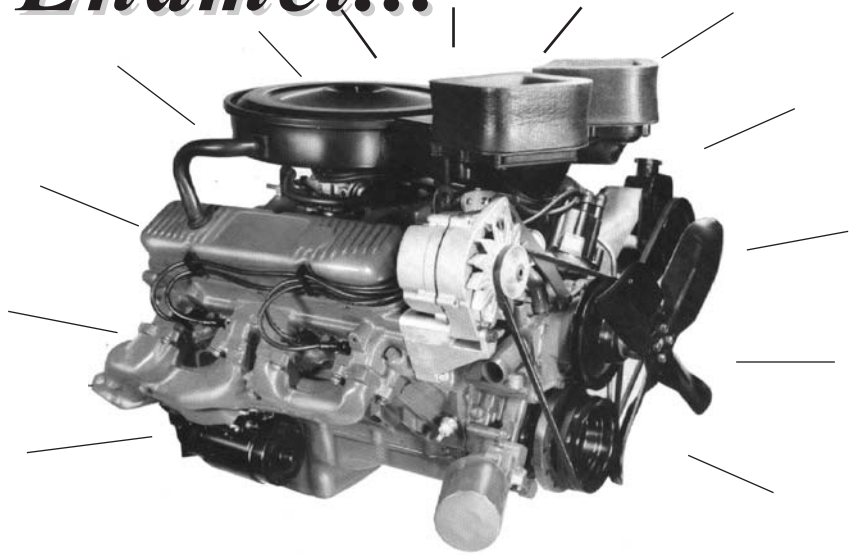
Reverse Lock-out Linkage

1969 -1972 All w/ 4-speed Muncie.	
RL-692.....	\$81.00

Buick Engine Enamel...

Exact Original Colors to
Authenticate your Engine.
Our Enamels are the Finest
available. Very High Temperature.
Can be easily Brushed or Sprayed
to obtain a Rich Deep Gloss. Sold in
Quart or Spray Cans.

* Note: Spray cans can not be shipped by
Air.



High Heat - High Gloss



Quart
Cans



12 oz.
Spray Can

1961-1964	Buick Silver	EP-614\$22.50 ea.	EP-614S.....\$9.50 ea.
1961-1967	Buick Green	EP-536\$22.50 ea.	EP-536S.....\$9.50 ea.
1966-1972	Buick Red	EP-644\$23.00 ea.	EP-644S.....\$9.50 ea.

Cast Iron Paint

Extremely High Temperature - 1800 degrees. **Excellent** for manifolds and exhaust systems.
Will not burn OFF.

EP-3.....(Pint).....\$25.00 ea.

Engine Compartment & Chassis Paint

Our Satin Black Enamel contains the correct blend of dulling agents to give that "Authentic New Look".
Use it on inner fender wells, under hood, radiator supports brackets, fan, air cleaner, etc. It is also correct
for chassis.



Quart
Cans



12 oz.
Spray Can

All Years and Models	EP-2.....\$22.50 ea.	EP-2S.....\$9.50 ea.
-----------------------------	----------------------	----------------------



DECALS / STICKERS etc.



Emissions & Tune-up

Air Cleaner Decals

CARS#:	YEARS:	APPLICATION:	PRICE:
D257	1961	Special "185" Tri-Shield (On Snorkel).....	\$3.50
D176	1961-1963	"Buick Skylark" (Silver Ltrs. 7" dia.)	\$13.75
D175	1961-63	Spec. Fireball V8 (On Snorkel).....	\$5.75
D272	1962	Special "190" Tri-Shield (On Snorkel)	\$3.50
D83	1962-1965	"Fireball V6" (Round (Blk, Red & Slvr).....	\$8.75
D273	1963	Special "200" Tri-Shiel (On Snorkel).....	\$3.50
D352	1964-1965	300 Engine A96C Air Filter Inst	\$3.50
D109	1964-1966	"Wildcat 355" (7"dia. Red).....	\$12.00
D159	1964-1966	"Wildcat 310" (7" dia. Red).....	\$13.25
D243	1964-1966	300 Engine Air Filter Instrut. #6421191	\$4.50
D126	1964-1966	425 engine, 2 X 4BBL (chrome air cleaner) "Super Wildcat".....	\$7.25
D114	1965-1966	GS "Wildcat 445" (14"dia. Red).....	\$14.75
D90	1965	GS AC-A85C (Filter Instruction).....	\$4.50
D96	1965	A202C decal I.D. #6420861 (Filt. Inst.).....	\$4.00
D354	1966	340-4 Air Cleaner Filter Instr...#6424150.....	\$3.50
D97	1966	300 Engine Air Filter Instrut. #6421189.....	\$4.50
D293	1966	"Wildcat 375". 7" diameter.....	\$11.00
D258	1966	SP 310/300 Cu.In. (Air Clnr. Svce.)	\$2.50
D353	1966	GS A 85C Air Filter Instruction	\$4.50
*D58N	1967-1969	"400-4" (Red & White)	\$12.50
D58	1967-1969	"400-4" (Red & White)	\$4.50
*D59N	1968-1969	"GS-400" (Red & White)	\$12.50
D59	1968-1969	"GS-400" (Red & White)	\$5.25
*D47N	1968-1972	"350-2" (Red & White)	\$9.00
D47	1968-1972	"350-2" (Red & White)	\$4.50
D-48	1968-1972	350-4" (7-1/2" across).....	\$4.50
*D49N	1968-1972	"350-4" (11" across).....	\$12.50
D49	1968-1972	"350-4" (11" across).....	\$5.00
D56	1968-74	"Keep your GM car" #6424826	\$4.00
*D56N	1968-74	"Keep your GM car" #6424826	\$8.00
D355	1969	GS350 Air Cleaner Instr #6484022.....	\$4.00
D52	1969-1974	"Stage 1" (Red & White).....	\$5.75
D52E	1969-1974	"Stage 1" (Embossed as original).....	\$8.00
*D53N	1969-1974	"Stage 2" (Red & White).....	\$12.50
D53	1969-1974	"Stage 2" (Red & White).....	\$5.75
D50	1970-1971	"350-4" HI-COMPRESSION.....	\$6.00
*D50N	1970-1971	"350-4" HI-COMPRESSION.....	\$9.50
D60	1970-1972	"GS-350" (Red & White)	\$6.00
D60E	1970-1972	"GS-350" (Embossed as original).....	\$8.00
*D60N	1970-1972	"GS-350" (Embossed as original).....	\$12.50
D54	1970-1974	"455-4" (Red & White)	\$4.50
D51E	1970-1974	"GS-455" (Embossed as original).....	\$8.00
D51	1970-1974	"GS-455" (Air Cleaner).....	\$5.75

CARS#:	YEARS:	APPLICATION:	PRICE:
D-261	1968	Buick 350-2 (Automatic Trans).....	\$3.50
D-262	1968	Buick 350 (Manual Trans)	\$3.50
D-264	1968	Buick 400 (Manual Trans)	\$3.50
D-265	1968	Buick 350-4 (Auto.Trans)	\$3.50
D-266	1969	Buick 350-2 (Automatic Trans)	\$3.50
D-292	1969	350-4 + 400 (Auto Trans).....	\$3.50
D-263	1969	Buick 400 (Manual Trans)	\$3.50
D-185	1969	400 (Auto Trans)	\$4.00
D-167	1970	Before 1/1/70 350-2BBL Automatic Transmisson.....	\$4.00
D-267	1970	Buick 455 STAGE1 (before1/1/70 Manual Transmission).....	\$3.50
D-62	1970	Buick 455 STAGE1 (after1/1/70 Manual Transmission)	\$ 4.00
D-102	1970	455 Stage 1 (Automatic Transmission) (after 1/1/70).....	\$3.50
D-168	1970	350-4 BBL (Automatic Trans.	\$4.00
D-290	1970	455 Stage 1 (Automatic Transmission) (before 1/1/70)	\$4.00
D-291	1970	350 4BBL (Auto Trans) High Comp.....	\$3.50
D-294	1970	All V8 "Evaporative control" decal.....	\$3.50
D309	1970	455 Automatic Transmission.....	\$4.00
D-186	1971	350-2 Emissions Decal	\$4.00
D-268	1971	Buick 350-4 (Automatic Trans)	\$3.50
D-269	1971	Buick 455 STAGE1 (Automatic/Manual Transmission).....	\$3.50
D-270	1971	Buick GS 455 (Automatic Trans).....	\$3.50
D-278	1972	Buick 350 4BBL (Auto/Manual).....	\$3.50
D120	1972	455 Stage 1 (Auto & Man Trans)	\$3.50
D307	1972	All 455	\$3.50
D312	1973	All 455	\$3.50
D313	1973	All 455 Stage	\$3.50
D315	1974	455 4BBL Automatic Trans.	\$3.50
D316	1974	455 Stage 1 Automatic Trans.	\$3.50



Valve Cover Decals

CARS#:	YEARS:	APPLICATION:	PRICE:
*D87N	1966-1967	"300-2" (Silver & Black)	\$6.50
D87	1966-1967	"300-2" (Silver & Black)	\$4.00
D183	1966-1967	"300 4V" (Silver & Black).....	\$4.00
*D88N	1966-1967	"340-2" (Silver & Black)	\$6.50
D88	1966-1967	"340-2" (Silver & Black)	\$4.00
*D89N	1966-1967	"340-4" (Silver & Black)	\$6.00
D89	1966-1967	"340-4" (Silver & Black)	\$4.50
*D70N	1967-1969	"400-4" (Silver & Black)	\$7.00
D70	1967-1969	"400-4" (Silver & Black)	\$4.00
D67	1968-1974	"350-4" (Silver & Black)	\$4.00
D66	1968-1974	"350-2" (Silver & Black)	\$4.00
D84	1969	"400-4 Stage 1" (Silver & Black).....	\$6.00

Please Note! Decal numbers preceded by an asterisk (*) are NOS! If you have a serious eye for detail, you will surely appreciate the clarity and construction of these originals. Some feature raised print and correct embossing.

Quantities are limited.

DECALS / STICKERS etc.

Engine Compartment

CARS#: YEARS: APPLICATION: PRICE:

D1	1961-1962	Generator Warning Tag.....	\$2.50
D72	1961-1974	Harrison Air Cond. (Alum. tag)	\$5.25
D46	1961-1967	"Optikleen" (Bottle Lable)	\$3.00
D107	1961-1967	"Optikleen" Bottle cap decal	\$2.75
D249	1961-68	Buick GM Wind Wash Kleer-View	\$2.50
D184	1961-1962	Oil Filler Cap Decal (Orange)	\$3.50
D172	1961-1963	Air Cond. Compr. Warning.....	\$3.50
D171	1961-1963	Alum. Eng. Cooling.....	\$2.75
D205	1961-1966	"GM" Antifreeze Tag	\$3.50
D179	1962-1964	Cooling System Decal	\$3.00
D130	1963-1967	"Positive" Battery Warning	\$4.00
D63	1968-1974	"Positive " Battery Warning	\$4.00
D80	1963-1966	Cooling System Sticker	\$4.00
D100	1963-1972	"GM Antifreeze" Sticker	\$1.75
D297	1964	Frigadare Compressor Decal	\$4.00
D190	1965	Harrison Air Conditioner Box	\$4.50
D187	1965	Frigidaire Air Cond. Compressor	\$4.50
D246	1965-1966	Buick Cooling System (X-Flow).....	\$3.50
D122	1965-1966	Downflow Radiator Cooling	\$3.50
D251	1966	Frigidaire Air Cond. Compressor	\$4.00
D191	1966	Harrison Air Conditioner Box	\$4.00
D357	1966-1967	"Canada" Oil Change Decal	\$3.50
D192	1967	Harrison Air Conditioner Box	\$4.00
D298	1967-1968	Frigadare Compressor Decal	\$4.00
D193	1968	Harrison Air Conditioner Box	\$4.00
D358	1968-1969	"Canada" Oil Change Decal	
		#734791	\$3.50
D194	1969	Harrison Air Conditioner Box	\$4.00
D252	1969	Frigidaire Air Cond. Compressor	\$4.00
D77	1969-1972	Windshield Washer Bottle.....	\$4.00
D195	1970	Harrison Air Conditioner Box	\$4.00
D253	1970	Frigadare Compressor Decal	\$4.00
D359	1970-1971	"Canada" Oil Change Decal	
		#733639	\$3.50
D210	1970-1972	Cooling System Decal	\$3.00
D188	1971	Frigidaire Air Cond. Compressor	\$4.00
D196	1971	Harrison Air Conditioner Box	\$4.00
D254	1972	Frigidaire Air Cond. Compressor	
		#5910789	\$4.00
D189	1972	Frigidaire Air Cond. Compressor	\$4.50
D197	1972	Harrison Air Conditioner Box	\$4.00
D198	1973	Harrison Air Conditioner Box	\$4.00
D199	1974	Harrison Air Conditioner Box	\$4.00
D200	1975	Harrison Air Conditioner Box	\$4.00
D201	1976	Harrison Air Conditioner Box	\$4.00



D-55

Interior

CARS#: YEARS: APPLICATION: PRICE:

D44	1961	Glove Box Door Sticker)	\$4.00
D166	1961-1962	Sp/Sky Tire & Oil (Glove Box)	\$3.50
D165	1961-1962	Glove Box Laquer Paint	\$4.00
D71	1961-1963	Casco Automatic Lighter (tag)	\$2.75
D379	1961-1963	"Air Conditioned"	
		Window Decal	\$3.50
D386	1961-1964	Delco Battery Certificate	\$2.25
D375	1961-1965	Electric Antenna Tag.....	\$2.75
D371	1964	NEW Car Price Booklet.....	\$2.75
D372	1965	NEW Car Price Booklet.....	\$2.75
D279	1965-1968	Delco Battery Owners Certif.	\$1.50
D384	1965-1968	Litter Bug Decal	\$2.75
D373	1966	NEW Car Price Booklet.....	\$2.75
D95E	1966-1967	"GM mark of Excellance" (Door	
		sticker Aqua/Silver) Embossed.....	\$5.00
D369	1966-1969	NEW Car Factory Build Sheet	\$3.50
D91	1967	All Buick Tire Pressure Sticker	\$3.50
D271	1968	Special /Skylark Tire Pressure	\$3.50
D164	1968	Buick GS 400 Tire Pressure	\$2.75
D338	1968	Spec. wagon/Sportwagon Tire Pres.....	\$4.00
D381	1968-1970	Luggage Instruction Tag	\$3.50
D55	1968-1974	"GM Mark of Excellence" (Door	
		Sticker Blue/Sliver)	\$3.50
D55E	1968-1974	"GM Mark of Excellence" (Door	
		Sticker Blue/Sliver) Embossed.....	\$5.50
D339	1969	GS-400 Glove Box Tire Pres. Decal.....	\$4.00
D388	1969-1972	Ignition Lock/Start Sleeve 6"	\$3.50
D-389	1969-1972	Ignition Lock/Start Sleeve 7" ..	\$3.50
D135	1970	Red Tire Pressure Sticker #1234162.....	\$3.50
D69	1970	Skylark 350 & GS, Green #1234158	
		Tire Pressure Sticker.....	\$3.50
D300	1970	Skylark 455 & GS 455 Tire Press.....	\$4.50
D374	1971	NEW Car Price Booklet.....	\$2.75
D105	1971	Except GS 455 All Tire Pres. Stkr.....	\$3.50
D364	1971	GS-455 Glove Box Tire Pressure	\$3.50
D380	1971-1973	Starting Instruction Tag	\$2.75
D365	1972	GS Glove Box Tire Pressure.....	\$3.50
D239	1972	Sky Seat Belt Installation Sleeve	\$3.50
D212	1975-1976	Push Start Warning.....	\$4.00

DECALS / STICKERS etc.



Exterior Decals

CARS # YEARS: DESCRIPTION: PRICE:

D276	1970 "GSX"	(on 1/4 Panel).....	\$9.00
D277	1970 "GSX"	(on Rear Spoiler).....	\$9.00
D400	1970 Gas Cap Caution Decal	(Calif. Cars)	\$3.50
D404	1970-1971 Frame Decal Kit	\$3.50
D163	1973-1974 "gran sport"	(Gold 1/4 panel)	\$8.50
D169	1973-1974 "gran sport"	(black 1/4 panel).....	\$8.75
D303	1973-1974 "gran sport"	(white 1/4 panel)	\$8.75
D399	Buick tri-Shield 2 7/8"	Wheel Cntr Decal.....	\$3.50
D405	"Unleaded Fuel Only" 5"	Straight-White.....	\$2.25
D406	"Unleaded Fuel Only" 5"	Straight-Black.....	\$2.25
D407	"Unleaded Fuel Only" 4"	Straight-B & W	\$2.25
D408	"Unleaded Fuel Only" 4"	Straight-Blk & Slv.....	\$2.25
D410	"Unleaded Fuel Only" 5"	Curved-White.....	\$2.25
D411	"Unleaded Fuel Only" 5"	Curved-Black	\$2.25

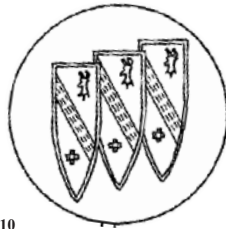
gran sport

DECK LID STRIPE KITS

D241	1973 "Gran Sport" Deck Lid	Silver	\$109.00
D240	1973 "Gran Sport" Deck Lid	Black.....	\$109.00
D242	1974 "Gran Sport" Deck Lid	Black.....	\$109.00
D244	1974 "Gran Sport" Deck Lid	White	\$109.00



D-117
D-118



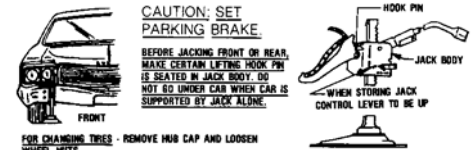
D-310

Authorized Service Decals

CARS#: YEARS: APPLICATION: PRICE:

D108	Old Style Buick Logo	(Blue & White)	\$7.75
D111	All " Genuine Buick 8 Parts "	\$2.75
D112	All "Buick 8"	(Blue & White w/Orange).....	\$2.75
D-310	All Years. Buick Tri-Shield Logo.	Red, White & Blue. 12"	
		Diameter.....	\$8.25

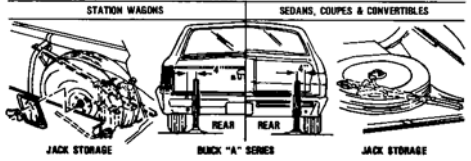
D117	All 10" Diameter	(Red, White & Blue).....	\$5.25
D118	All 5" Diameter	(Red, White & Blue).....	\$4.00



FOR EXCHANGING TIRES - REMOVE HUB CAP AND LOOSEN WHEEL NUTS.

FRONT - POSITION JACK LIFTING HOOK LIP UNDER BOTTOM EDGE OF BUMPER IN LINE WITH INBOARD EXPOSED BOLT HEAD AS SHOWN IN VIEW ABOVE.

REAR - POSITION JACK LIFTING HOOK LIP UNDER BOTTOM EDGE OF BUMPER INBOARD OF EXPOSED BOLT HEADS AS SHOWN IN VIEWS BELOW.



D-236

Trunk

CARS#: YEARS: APPLICATION: PRICE:

D232	1961 Special/Skylark Jack Instr.	\$3.50
D231	1962 Jack Instructions	\$3.50
D132	1963-1964 Jack Instructions	\$3.50
D275	1965 All Jack Instructions.....		\$3.50
D234	1966 All Jack Instructions.....		\$3.50
D235	1967 All Jack Instructions.....		\$3.50
D236	1968-1969 All Jack Instructions	\$3.50
D237	1970 All Jack Instructions.....		\$3.50
D395	1970-72 Space Save Tire Inflation decal	\$3.50
D238	1971 All Jack Instructions.....		\$3.50
D396	1971-1973 Canada Limited Slip Decal.....		\$3.50
D227	1973-1977 Tire Inflator (On Can).....		\$4.00
D304	1972 Skylark/GS Jack Instructions.....		\$3.50

NEW Car Window Sticker

CARS # YEARS: DESCRIPTION: PRICE:

D127	1963-1964 NEW Car Window Sticker	\$9.50
D129	1965-1966 NEW Car Window Sticker	\$9.50
D131	1967 NEW Car Window Sticker	\$9.50
D344	1968 NEW Car Window Sticker	\$9.50
D133	1969-1970 NEW Car Window Sticker	TOS
D140	1971-1974 NEW Car Window Sticker	\$9.50

Please Note! Decal numbers preceded by an asterisk (*) are NOS! If you have a serious eye for detail, you will surely appreciate the clarity and construction of these originals. Some feature raised print and correct embossing.

Quantities are limited.

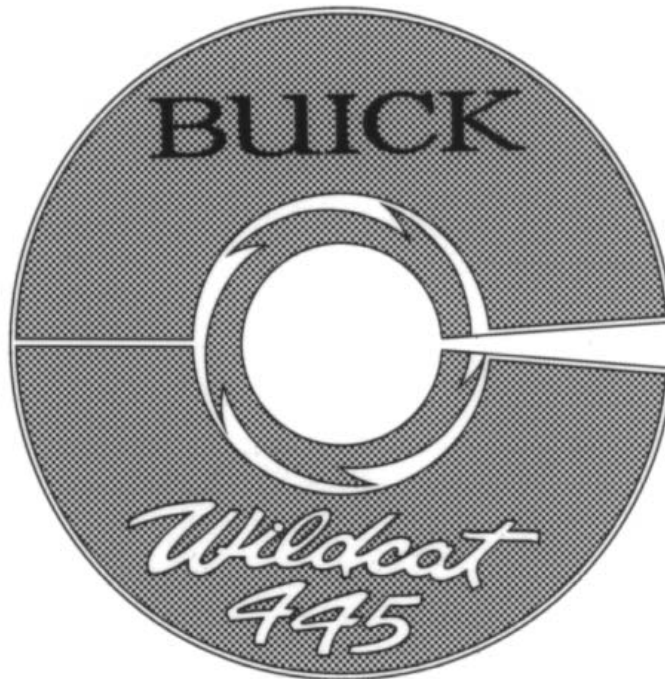
Air Cleaner Identification (Group 0)

1965-1966 Air Cleaner I.D. Plate.

Not just a "decal", but a high quality silk screened impression on a die cut reflective aluminum disc. Add the final touch to your highly detailed engine compartment. Will not fade or wrinkle. Easy to apply. Absolutely Concourse show quality. Approved & licensed by Buick.



← 14" →



1965-1966 GS-400 Engines "Buick Wildcat 445"

14" Diameter

D-114A.....\$29.50 ea.