

Wheels (Group 5)

Buick Chrome Wheels (5.803)

At last, a source for new 14" and 15" Skylark & GS Chrome Wheels. These wheels are show and road ready. They come heavily chrome plated with recessed areas already satin black painted. Bolt circle is 5 on 4 3/4". Made in standard or custom sizes. Check your back-spacing requirements before ordering.

14 x 6 Chrome Wheel w/ 3 1/2" backspacing
 GSW-146.....\$185.00 ea.

14 x 7 Chrome Wheel w/ 4" backspacing.
 GSW-147.....\$185.00 ea.

15 x 7 Chrome Wheel w/ 4" backspacing
 GSW-157.....\$185.00 ea.

15 x 8 Chrome Wheel w/ 4 1/2" backspacing
 GSW-158.....\$185.00 ea.



Used Wheels

We can provide a limited amount of used wheels that are considered to be "good drivers". Please call for sizes, condition and availability. We also buy old cores. **PLEASE INQUIRE.**

Wheel Nuts

Stainless Steel Capped Replacement



Please see next page for
 Wheel Caps



These nuts are an inexpensive replacement and do not look authentic.
1964-1972 All. 7/16-20.

WN-691.....\$2.50 ea.
 WN-691S.....(Set of 20)\$43.00 set



Standard Acorn Nut Replacement

1964-1972 All. 7/16- 20.

WN-611.....\$1.75 ea.
 WN-611S.....(Set of 20)\$23.00 set



1961 thru 1963 All. Rear Only

WN-613.....L.H. Thread\$1.75 ea.
 WN-611.....R.H. Thread\$1.75 ea.

Front Wheel Studs

1967-1970 GS-400 and GS-455 with drums;
 1970-1972 Skylark & GS with disc brakes.
 7/16"-20 x 1 1/2". 11/16" deep.
 WS-672\$3.25 ea.

NEW

Solid Stainless Steel Wheel Nuts



1969-1972 We have reproduced these hard-to-find nuts to look identical to the originals. Of course they are far superior to the originals as they will never rust and feature the durability and strength of stainless steel.
 7/16" - 20

Will also fit 1965-1968.

WN-695.....\$6.00 ea.
 WN-695S.....(Set of 20)\$95.00 set



Wheels (Group 5)

1965-1970 Chrome Wheel Caps

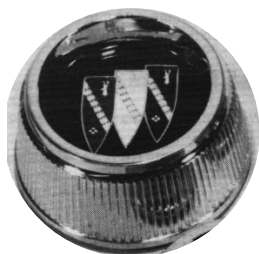
We have been selling these superior quality caps since 1991. They come in kit form. You receive chrome plated fluted cap, cap retainer, anti-theft bar, screws, plastic emblem, emblem pad and directions. These caps are guaranteed to be the best available at any price. We are licensed by GM to sell the trademarked items below.



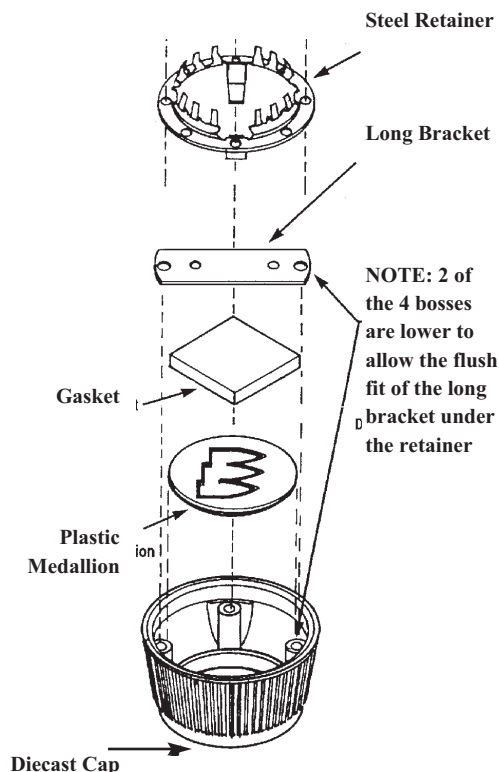
1965 With "Fat Bird" insert.
 WC-65\$37.50 ea.
1965 Set of Four Kits.
 WCS-65\$145.00 set



1966-1967 With "Thin Bird" insert.
 WC-667\$37.50 ea.
1966-1967 Set of Four Kits.
 WCS-667\$145.00 set

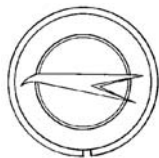


1968-1970 With "Tri Shield" insert.
 WC-680\$37.50 ea.
1968-1970 Set of Four Kits.
 WCS-680\$145.00 set



Wheel Plastics

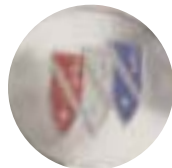
1965 Wheel Plastic, "Fat Bird".
 WP-65\$15.00 ea.
 (will also fit "spinner" wheel covers with 2 1/16" diameter center.)



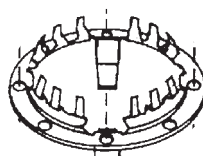
1966-1967 Wheel Plastic "Thin Bird".
 WP-667\$15.00 ea.



1968-1970 Wheel Plastic, "Tri Shield".
 WP-660T\$15.00 ea.

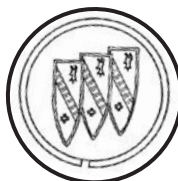


1971-1972 Wheel Plastic, "Tri Shield".
 WP-712\$17.50 ea.



1965-1970 Cap Retainer Clips Center Cap To Wheel (Included In Kits)

1965-1970 All.
 WCR-650\$5.00 ea.



1971-1972 Wheel Cap & Medallion

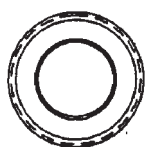
1971-1972 All.
 WC-712\$35.00 ea.



Propeller Shaft & Rear Axle (Group 5)

Propeller Shaft Center

Bearing Support



1962-1963 All. Steel retainer with rubber collar.

BS-623\$47.25 ea.

Center Bearing for above. Fits 1961-1963

All.
DSB-611\$36.00 ea.

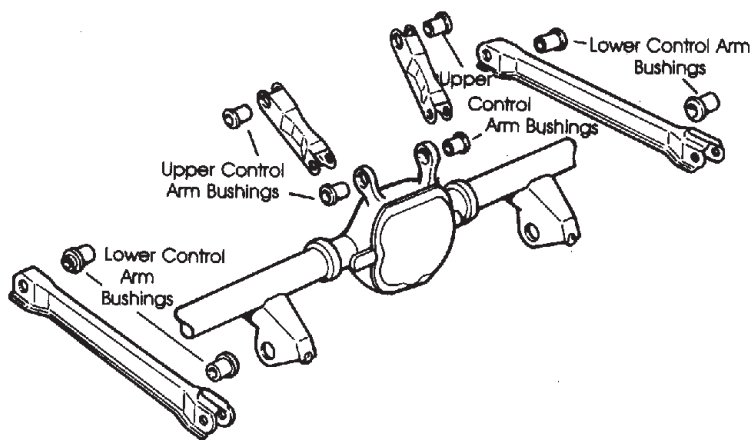
Universal Joints

1961-1963 Front & rear. 4 per car.

UJ-613\$21.50 ea.

1964-1972 All. Front and rear.

UJ-574\$19.50 ea.



Rear Axle Control Arm Box Kit



1964-1972 All. Heavy gauge stamped steel inserts are welded into lower control arm for increased strength and better handling. Kit contain 2 inserts for complete job.

BK-642\$34.50 ea.

Rear Axle Control Arm Bushings

1961-1963 All upper, 2 pair needed per car.

RAB-613U\$39.50 pr.

1961-1963 All lower, front. 1 pair needed per car.

RAB-613LF.....\$51.75 pr.

1961-1963 All lower, rear. 1 pair needed per car.

RAB-613LR\$51.75 pr.

1965-1972 All upper & lower (4 pair per car).

RAB-652\$27.50 pr.

RAB-652S.....(Set of 8 (4 pair)).....\$100.00 set

Rear Axle Control Arm Bolt Kit



1964-1972 All. Premium grade 8 bolts with locking nuts. Enough hardware for both lower control arms.

ABK-642\$29.50 ea.

Rear Axle Boxed Control Arms

1964-1972 All. Heavy gauge stamped steel for increased strength and better handling. Rubber or Urethane bushings.

CA-642R.....(Rubber Bushings).....\$179.50 pair

CA-642U.....(Urethane Bushings)\$187.50 pair

Rear Axle Anti-Sway Bar



7.241

1964-1972 All. 1"

SB642R.....\$169.50 ea.



Propeller Shaft & Rear Axle (Group 5)

Rear Wheel Bearings (5.855)

| | |
|--|-------------|
| 1961-1963 All. | |
| RWB-613..... | \$45.75 ea. |
| 1964-1968 All except Sportwagon and GS. | |
| RWB-648..... | \$49.00 ea. |
| 1964-1965 | |
| 1964-1965: Sportwagon; | |
| 1965: GS. | |
| RWB-645..... | \$44.50 ea. |
| 1966-1968 GS and Sportwagon. 2 7/8" diameter bearing. | |
| RWB-667..... | \$62.50 ea. |
| 1968-1970 All with 12 Bolt Cover. | |
| RWB-689..... | \$20.25 ea. |
| 1969-1972 All except Sportwagon & 12 Bolt cover. | |
| RWB-692..... | \$34.75 ea. |
| 1969 Sportwagon. | |
| RWB-696..... | \$31.50 ea. |

Rear Axle Oil Seals (5.822)

| | |
|--|-------------|
| 1961-1963 All Special & Skylark | |
| OS-613..... | \$39.50 ea. |
| 1964-1965 All; 1966-1968 all exc. GS & Sptwagon | |
| OS-648..... | \$16.00 ea. |
| 1966-1968 GS & Sportwagon. | |
| OS-668..... | \$21.50 ea. |
| 1968-1969 All Canadian built; 1970 w/ 12 bolt rear | |
| OS-681..... | \$16.00 ea. |
| 1969 All Special & Skylark except Sportwagon. | |
| OS-69..... | \$24.50 ea. |
| 1970-1972 Skylark & GS with 9.375 rear gear. | |
| OS-709..... | \$18.25 ea. |



Axle Housing Bumper (5.395)

| | |
|-----------------------|-------------|
| 1964-1972 All. | |
| AB-642..... | \$14.50 ea. |

Rear Axle Pinion Seal (5.445)

| | |
|-----------------------|-------------|
| 1961-1963 All. | |
| PS-613..... | \$16.00 ea. |
| 1964-1967 All. | |
| PS-647..... | \$18.50 ea. |

Rear Axle Cover Gaskets

| | |
|-------------------------------|------------|
| 1961-1963 All. | |
| RAG-613..... | \$7.25 ea. |
| 1964-1970 All 10 Bolt. | |
| RAG-640..... | \$5.50 ea. |
| 1968-1970 All 12 Bolt. | |
| RAG-680..... | \$5.25 ea. |

Rear Axle Posi-Traction Tag



| | |
|------------------------------|------------|
| 1961-1972 All "Posi". | |
| PT-635 All..... | \$4.50 ea. |

Rear Axle Posi-Traction Additive

| | |
|---|-------------|
| All Years as required. For Posi Rears. Reduces chatter and noise. | |
| Genuine GM. | |
| AL-300..... | \$11.50 ea. |