




Hardware - Push-In Wire Clips (Group 17)




1/4" - 3/16" Hole size.
1/2" x 1/2".
MC3\$0.50 ea.
MC3B Box 100\$25.00 ea.




3/4" x 15/16" Head.
5/16" Hole size.
MC17\$0.50 ea.
MC17B Box 100\$25.00 ea.




1/2" Head diameter.
5/16" Hole size.
MC5\$0.50 ea.
MC5B Box 100\$25.00 ea.




11/16" x 9/16" Head.
5/16" Hole size.
MC20\$0.50 ea.
MC20B Box 100\$25.00 ea.




1/2" Head diameter.
1/4" Hole size.
MC12\$0.50 ea.
MC12B Box 100\$25.00 ea.




1" x 7/8" Head.
5/16" - 3/8" Hole size.
MC21\$0.50 ea.
MC21B Box 50\$25.00 ea.




5/8" x 5/8" Head.
5/16" Hole size.
MC13\$0.50 ea.
MC13B Box 50\$12.50 ea.



7/8" x 7/8" Head.
5/16" - 3/8" Hole size.
MC22\$0.50 ea.
MC22B Box 50\$25.00 ea.




3/4" Head diameter.
5/16" - 3/8" Hole size.
MC16\$0.50 ea.
MC16B Box 100\$25.00 ea.





1" x 1 1/8" Head.
5/16" - 3/8" Hole size.
MC24\$0.50 ea.
MC24B Box 50\$12.50 ea.

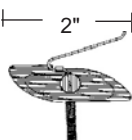
Moulding Clips Threaded Type, (Nuts Included)


Door Panel Fasteners

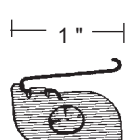
- 


7/8" | 10 - 24 x 3/4" stud.
MC63.....\$0.75 ea.
- 

1 1/8" | 10 - 24 x 3/4" stud.
MC66.....\$0.75 ea.
- 

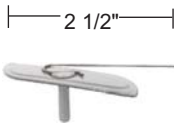
1 3/4" | 12 - 24 x 3/4" stud.
MC69.....\$1.00 ea.
- 

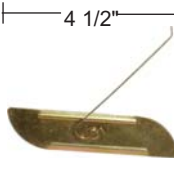
2" | 8 - 32 x 1" stud.
MC72.....\$0.50 ea.
- 


1 3/4" | 10 - 24 x 1/2" stud.
MC75.....\$2.75 ea.
- 


1" | 10 - 24 x 5/8" stud.
MC64.....\$0.75 ea.
- 

1 3/4" | Adjustable.
10 -24 x 5/8" stud.
MC70.....\$1.25 ea.

- 

2 1/2" | 12 - 24 x 7/8" stud.
MC73.....\$1.00 ea.
- 

4 1/2" | 10 - 24 x 3/4" stud.
MC76.....\$3.50 ea.
- 

1 5/16" | 10 - 24 x 3/4" stud.
MC68.....\$0.75 ea.
- 

1 7/8" | 10 - 24 x 5/8" stud.
MC71.....\$0.75 ea.

Universal Break-Off Type

- 

10 - 24 x 3/4" stud.
MC1\$1.00 ea.

- 

Head Dia.3/4"
Stem Length.....1/2"
Fits Hole Size.....1/4"
DPF1.....\$0.50 ea.
- 

Head Dia.7/8"
Stem Length.....3/4"
Fits Hole Size.....1/4"
DPF2.....\$0.50 ea.
- 

Head Dia.3/4"
Stem Length.....3/4"
Fits Hole Size.....1/4"
DPF3.....\$0.50 ea.
- 

Head Dia.15/16"
Stem Length.....1 1/4"
Fits Hole Size.....1/4"
DPF4.....\$0.50 ea.
- 


Head Dia.15/16"
Stem Length.....5/16"
Fits Hole Size....11/16"
DPF5.....\$0.50 ea.
- 


Head Width.7/16"
DPF6.....\$1.00 ea.
- 


Head Width.5/8"
DPF7.....\$1.00 ea.
- 

Head Dia.1/2"
Stem Length.....3/4"
Fits Hole Size.....1/4"
DPF8.....\$0.25 ea.

Misc. Retainers

- 

Head Dia.7/16"
Stem Length.....7/16"
Fits Hole Size.....1/8"
WF2.....\$0.75 ea.
- 

Head Dia.7/16"
Stem Length.....5/8"
Fits Hole Size.....1/8"
WF3.....\$1.00 ea.
- 

Head Dia.9/16"
Stem Length.....3/4"
Fits Hole Size.....1/8"
WF4.....\$0.75 ea.

Hardware Section (Group 17)

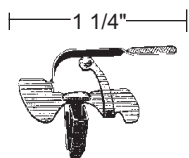
Push-In Clips



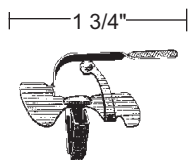
For 5/16" - 3/8" hole.
MC47.....\$0.75 ea.



5/16" hole.
MC49.....\$0.75 ea.

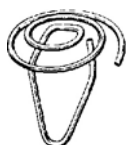


For 3/8" hole.
MC50.....\$0.75 ea.



For 3/8" hole.
MC51.....\$2.25 ea.

Universal Wire Moulding Clips Push-in Type



5/16" - 1/2" Moulding.
3/8" Hole size.
MC29.....\$0.50 ea.
MC29B.Box 50..\$12.50 ea.

Nylon Clips

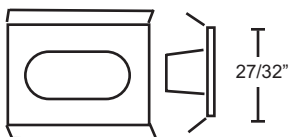
Push into oval holes in panels, then moulding snap over them.



MC84.....\$2.25 ea.



MC85.....\$2.250 ea.



MC86.....\$2.25 ea.

Chrome Trim Screws



#6 Chrome Plated Phillips Oval Head

TS612.....	6x1/2"\$0.25
TS658.....	6x5/8"\$0.25
TS634.....	6x3/4"\$0.25
TS678.....	6x7/8"\$0.25
TS6100.....	6x1"\$0.50
TS6114.....	6x1 1/4"\$0.50

#8 Chrome Plated Phillips Oval Head

TS8386.....	8x3/8" w/ #6 Head.....	\$0.25
TS812.....	8x1/2".....	\$0.25
TS8126.....	8x1/2" w/ #6 Head.....	\$0.50
TS858.....	8x5/8".....	\$0.25
TS8586.....	8x5/8" w/ #6 Head.....	\$0.25
TS834.....	8x3/4".....	\$0.50
TS8346.....	8x3/4" w/ #6 Head.....	\$0.50
TS83410.....	8x3/4" w/ #10 Head.....	\$0.50
TS878.....	8x7/8".....	\$0.50
TS8786.....	8x7/8" w/ #6 Head.....	\$0.50
TS8100.....	8x1".....	\$0.50
TS81006.....	8x1" w/ #6 Head.....	\$0.50
TS8118.....	8x1 1/8".....	\$0.50
TS81186.....	8x1 1/8" w/ #6 Head.....	\$0.50
TS8114.....	8x1 1/4".....	\$0.50
TS81146.....	8x1 1/4" w/ #6 Head.....	\$0.50
TS8112.....	8x1 1/2".....	\$0.50
TS81126.....	8x1 1/2" w/ #6 Head.....	\$0.50
TS81346.....	8x1 3/4" w/ #6 Head.....	\$0.75

#10 Chrome Plated Phillips Oval Head

TS1012.....	10x1/2".....	\$0.50
TS10128.....	10x1/2" w/ #8 Head.....	\$0.50
TS1058.....	10x5/8".....	\$0.50
TS1034.....	10x3/4".....	\$0.50
TS1000.....	10x1".....	\$0.50
TS10008.....	10x1" w/ #8 Head.....	\$0.50
TS10114.....	10x1 1/4".....	\$0.50
TS101126.....	10x1 1/2" w/ #6 Head.....	\$0.50
TS10134.....	10x1 3/4" w/ #6 Head.....	\$0.75
TS10200.....	10x2.....	\$0.50
TS10348.....	10x3/4" w/ #8 Head.....	\$0.50

Windshield and Backglass Moulding Clips



1969-1975
1969-1970:
 LeSabre and
 Wildcat two

door models. Backglass. 22 per car;
1971-1972: All Electra, LeSabre and
 Wildcat four door hardtops.
 Backglass. As required;
1971-1972: All Electra. Backglass.
 As required;
1973-1975: All windshield. Backglass
 and 1/4" glass. As required.
 MC32.....\$0.75 ea.



1968-1971
 1968: All with soft
 roof trim.
 Windshield upper

and side. Backglass. As required;
1969-1971: All windshield and
 backglass. As required.
 MC33.....\$0.75 ea.
1968-1973 All windshield and
 backglass (Emergency) as
 required.
 MC35.....\$1.00 ea.



1965-1968
 All windshield
 and backglass.
 As required.

MC34.....\$1.00 ea.



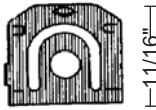
1966-1975
 All as required.
 Windshield and
 Backglass.

(Emergency - screw-on type).
 MC37.....\$1.75 ea.



1974-2015
 All as required.
 MC101....\$1.00 ea.

Other Windshield - Backglass Clips (Use as required)



1 1/16"

Windshield and backglass
 clips. Use as required.
 MC43.....\$0.75 ea.



1"

Windshield & backglass
 clips. Use as required.
 MC41\$0.75 ea.



3/4"

Windshield & backglass
 clips. Use as required.
 MC42.....\$0.75 ea.



1 1/16"

Windshield & backglass
 clips. Use as required.
 MC44\$0.75 ea.



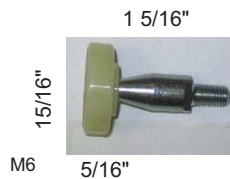
7/8"

Windshield & backglass
 clips. Use as required.
 MC39.....\$1.00 ea.

Window Rollers (see also window bearings on next page)



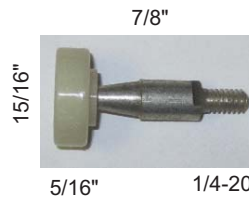
1957 thru 1972
 all as required
 WR576\$3.25 ea.



1978 thru 1995 all as
 required. 5/16 wide
 WR785.....\$6.50 ea.



1968 thru 1978 all as
 required. 7/16 wide
 WR682\$4.75 ea.



1968-1975 as required.
 5/16 w.
 WR685...\$16.00 ea.



1972 thru 1999 all as
 required. .11/64" id
 WR727\$2.25 ea.



11/16 wide

1979-2004 as req.
 With metal insert.
 WR790.....\$3.75 ea.

Hardware Section (Group 17)



Tubular Nuts (8.921)



For attaching monograms, emblems, etc. with studs. Measure your pin diameter and the size of the hole. Consider nylon tubular nuts. Although not original, they will not rust or chip paint.

Stud size 1/16" Hole size 9/64"
 TN1.....Nylon\$0.50 ea.
 TN1P.....Pack of 25.....\$7.75 ea.

Stud size 3/32" Hole size 1/8"
 TN2.....Steel\$0.25 ea.
 TN2P.....Pack of 25.....\$5.00 ea.

Stud size 1/8" Hole size 5/32"
 TN3.....Steel\$0.25 ea.
 TN3P.....Pack of 25.....\$5.00 ea.

Stud size 5/64" Hole size 5/32"
 TN4.....Nylon\$0.50 ea.
 TN4P.....Pack of 25.....\$6.25 ea.

Stud size 1/8" Hole size 11/64"
 TN5.....Nylon\$0.50 ea.
 TN5P.....Pack of 25.....\$6.25 ea.

Stud size 1/8" Hole size 3/16"
 TN6.....Steel\$0.50 ea.
 TN6P.....Pack of 25.....\$6.25 ea.

Stud size 1/8" Hole size 1/4"
 TN7.....Steel\$0.50 ea.
 TN7P.....Pack of 25.....\$6.25 ea.

Stud size 5/32" Hole size 7/32"
 TN8.....Steel\$0.50 ea.
 TN8P.....Pack of 25.....\$12.75 ea.

Stud size 5/32" Hole size 3/16"
 TN9.....Nylon\$0.50 ea.
 TN9P.....Pack of 25.....\$6.25 ea.

Stud size 3/16" Hole size 7/32"
 TN10.....Steel\$0.50 ea.
 TN10P.....Pack of 25.....\$6.25 ea.

Stud size 3/16" Hole size 13/64"
 TN11.....Steel\$0.50 ea.
 TN11P.....Pack of 25.....\$6.25 ea.

Stud size 1/4" Hole size 5/16"
 TN12.....Steel\$0.50 ea.
 TN12P.....Pack of 25.....\$6.25 ea.



Flat Nuts (8.921)

For attaching monograms, emblems, etc. with studs.

Measure your stud diameter.

FN1.....1/16"\$0.25 ea.
 FN1P.....Pack of 25\$4.75 ea.

FN2.....3/32"\$0.25 ea.
 FN2P.....Pack of 25\$4.75 ea.

FN3.....1/8"\$0.25 ea.
 FN3P.....Pack of 25\$4.75 ea.

FN4.....5/32"\$0.25 ea.
 FN4P.....Pack of 25\$4.75 ea.

FN5.....3/16"\$0.25 ea.
 FN5P.....Pack of 25\$4.75 ea.

FN6.....1/4"\$0.25 ea.
 FN6P.....Pack of 25\$4.75 ea.

FN7.....5/16"\$0.25 ea.
 FN7P.....Pack of 25\$4.75 ea.

Round Flat Nuts (8.921)



FN8.....1/8"\$0.25 ea.
 FN8P...Pack of 25 ...\$4.75 ea.

FN9.....3/16"\$0.25 ea.
 FN9P.....Pack of 25\$4.75 ea.

1935-1960 All as required. Cage Nut.

Cage Nuts /"U" Nuts

(8.155)



CN363.....\$1.75 ea.



For 5/16"-18 Screw.
 Range - .025" - .060"
 Center of hole to
 edge - 9/16"

UN1\$0.50 ea.
 UN1B....Box of 50\$12.50 ea.



For 3/8"-16 Screw.
 Range - .050" - .200"
 Center of hole to
 edge - 3/4"

UN2\$0.75 ea.
 UN2B....Box of 25\$9.50 ea.

Thread Cutting Nuts



Sold in packs of 25 pieces (8.921)

5/16" Hex. For 1/4" stud.
 7/16" washer OD. Zinc plated.
 TCN516\$4.25 pack

3/8" Hex. For 3/16" stud.
 1/2" washer OD. Zinc plated.
 TCN38\$4.25 pack

11/32" Hex. For 5/32" stud.
 9/16" washer OD. Zinc plated.
 TCN1132\$4.50 pack

7/16" Hex. For 1/4" stud.
 11/16" washer OD. Zinc plated.
 TCN716\$4.50 pack

Window Bearings



1968-1974 as required.
 low profile. 1 7/32" dia.
 WB684A.....\$3.75



1968-1974 as required.
 1" dia.
 WB684B.....\$3.75



1968-1974 as required.
 1" dia. high cap
 WB684C.....\$3.75



www.oldbuickparts.com
908-369-3666

Buick License Plates

Laser Cut License Plates

These beautiful license plates are made of durable high impact acrylic and are approximately 3/16" thick. Hand inlaid design.

1913 Buick Logo



Black acrylic with bright red square. The "Buick" is shiny mirror like. LP1\$25.75

Buick Tri-Shield - Gold



Black acrylic with gold mirror lettering. Tri-Shield is red, white and blue inlay. LP9\$25.75

Buick Tri-Shield - Silver



Black acrylic with silver mirror lettering. Tri-Shield is red, white and blue inlay. LP8\$25.75

T-Type Turbo 6



Black acrylic with bright yellow/red laser cut and inlaid insignia. LP7\$25.75

Silk Screened License Plates

Heavy gauge embossed aluminum plate.

Buick Tri-Shield



Black with white shield and red "BUICK" lettering. LP2\$8.00

Buick Gold Hawk



Black with gold BUICK Hawk. Sharp! LP3\$8.25

GS by Buick



Black with red "GS" and white "Fast with Class" LP4\$7.25

Grand National



Black plate, red and yellow "6" with gold lettering. LP6\$7.75

Buick License Plates - Frames and Accessories

License Plate Frame Solid Brass



These heavy, **solid brass** frames have "BUICK" stamped in the center flanked by the buick tri-shield. Gold & Chrome (pictured) available.

- Gold - LP13\$25.75
- Chrome - LP12\$25.75

License Plate Grand National



Bad to the bone.

- LP19\$7.25

License Plate Cover Bubble Cover

Protect your License plate with this clear see-thru bubble cover.

- LP14\$15.50

Fender Covers

GSX Beats You in Stages



Heavy gauge with tool ridge

- FC5.....\$27.25

GS by Buick



A Quality fender cover with tool ridge

- FC3.....\$16.50

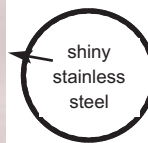
"GO BUICK"



These were found recently in the back room of an old Buick Dealership in Bayonne, NJ. Estimates are that these were from the 1970's.

- LP18\$6.25

Stainless Steel License Plates



Shiny **Stainless Steel** license plate with clear lettering. Tri-Shield is red, white and blue.

- LP10 (Clear Letters)\$25.75
- LP11 (GOLD Letters)\$25.75
- LP20 (BLACK Letters)\$25.75

Index

A

Air Cleaner Identification 12

Air Cleaner I.D. Plate 12

Air Conditioning 61

Bracket 63
Compressor 63
Parts 63
Refrigerant 63
Vacuum Value 63

Antennas 64

Fixed Antenna Mast 64
Lead 64
Mast and Tube 64
Power Antenna Assembly 64

B

Body Moulding 84

Body to Frame Mounting Pads 61

Body Mount Kit 61
Bolts 62

Brake Cables 46

Brakes 42

Brake Adjusting Screw 44
Brake Booster Hose Pinch Clamp 42
Brake Booster Vacuum Check Valve 42
Brake Drum 45
Brake Hose 44
Brake Overhaul Kit 42
Brake Pedal Pad 45
Brake Shoes and Disc Pad Sets 44
Brake Spring Kit 44
Disc Brake Caliper Repair Kit 43
Master Cylinder 42
Master Cylinder Rebuilding Kit 42
Pedal Pad 45
Power Brake Rebuilding Service 42
Silicon Brake Fluid 45
Stop Light Switch 45
Wheel Cylinder 43
Wheel Cylinder Repair Kit 43

Bumper Fillers 57

C

Carburetor 35

Carburetor Kit 35
Carburetor Mounting Gasket 36
Carburetor to Air Cleaner Gasket 36
Rebuilding and Restoration Service 35
Rochester Carburetor 35
Stromberg Carburetor 35

Carpets 92

Convertible Top Motors 88

Actuators 88
Cylinder 88
Gears and Parts 88
Hose Set 88
Pumps 88
Silicon Brake Fluid 88
Top and Window Rubber Hose 88
Top Cable 88
Top Latch Assembly 88

Convertible Tops and Boots 86

Header Strip 86
Tacking Strip 86
Well Liner 86

Convertible Tops and Weatherstrip 87

Convertible Top Header Bow 89
Landau Top 89
Latches, Hooks, Top Frame Part 89
Parade Boots Part 89
Pillar Post Seal 87
Relay 89
Roof Rail Weatherstrip 87
Top Bow Seal 87
Top Switch 89
Vinyl Roof 89

Cooling • Oiling 17

Adjustable Oil Pressure Regulator 19
Breather Tube 18
By-Pass Hose 18
Crankcase Vent Hose 18
Distributor Gear Oiler 20
Fan Belt 17
Fan Clutch 17
Fan Shroud 17
GM Engine Lubricant 21
Heater Hose 19
Oil Filler Cap 21
Oil Filter 20
Oil Gasket 21
Oil Pan 20
Oil Pan Drain Plug Gasket 20
Oil Pick-up Tube and Screen 20
Oil Pressure Switch 21
Oil Pump 20
Oil Pump Kit 20
Oil Pump Thrust Plate Repair Kit 20
PCV Valve 21
PF-24 Oil Filter 20
Radiator Cap 17
Radiator Hose 17
Radiator Hose Clamp 17
Radiator Insulator 17
Replacement Radiator Cap 17
Temperature Sending Unit 18
Thermostat 18
Tower Top" Heater Hose Clamp 19
Water Manifold Gasket Kit 19
Water Outlet 18
Water Outlet Gasket 18
Water Pump 19
Water Pump Mounting Gasket 19
Wire Hose Clamp 18

Cowl 61

Seal 61

D

Dash Parts 64

Ash Tray 79
Cigar Lighter Fuse 64
GLove Box 79
Glove Box Light Switch 79
Glove Box Lock 79

Decals • Tags • Stickers 14

Air Conditioning 15
Emission 14
Engine Compartment 15
Exterior 15
Garage Wall, Tool Box 16
Interior 14
Jacking Instructions 16
NEW Car Window Sticker & Booklet 16
Trunk 16

Index

Valve Cover Identification 14

Dome Lense 83

Door Jamb Switches (11.950) 83

Door 67

Door Exterior Parts 68

Bumper 69
Handles & Gaskets 69
Handle Pushbutton Kit 69
Hinge Pins & Bushings 68
Lock 69
Outside Rear View Mirror 68
Strikers 68
Striker Silencer
Weatherstrip Extrusion 69

Door Parts 78

Lock Button 77
Lock Ferrule 77
Power Window Switches & Bezels 78
Power Window Motors & Vent Gears 78
Vent Window Gears 77
Window Rollers 77

Door Sills 82

Plate 82

Door Windows 74

Replacement Channel & Sweepers 75
Seals 75
Sweeper Kit 74
Window Channel 75

E

Electrical 22

Alternator 30
Alternator Brush Set 30
Alternator Contact Rubber Boot 30
Alternator Fan 30
Alternator Pulley 30
Back-up Lamp Lens Gasket 32
Back-Up Lamp Lense 32
Battery Bolt 25
Battery Cable 24
Battery Cable End Cover 24
Battery Clamp 25
Battery Terminal Protector 24
Complete Tune-up Kit 28
Condenser 28
Date Coded Spark Plug Wire 26
Distributor Adjusting Tool 28
Distributor Knock Sensor 30
Distributor Rebuilding Service 30
Distributor Vacuum Advance Control 30
Fabric Wire Loom 24
Generator Rebuilding Service 30
Genuine Delco Ignition Wire Set 28
Genuine Guide T-3 Headlight Bulbs 32
Headlamp Switch 31
Headlight Dimmer Switch 31
Horn 31
Horn Blowing Contact Spring 31
Horn Relay 31
Ignition Coil 28
Ignition Lock Cylinder with Keys 23
Ignition Switch 23
Key Blank 23
Key Cap 23
License Lamp Lens Gasket 32
Marker Lamps and Lamp Part 31

Nylon Wire Loom 27
Replacement Tune-up Part 28
Signal Flasher 31
Spark Plug 28
Spark Plug Wire Retainer 27
Starter Brush Set 22
Starter Drive 22
Starter ID Tag 22
Starter Rebuilding Service 22
Starter Repair Kit 22
Starter Solenoid 22
Starter Solenoid Repair Kit 22
Turn Signal Switch 32
Universal Coil Bracket 28
Voltage Regulator 28
Wire & Cable Retainer 22
Wiring Harness Tape 27

Engine 3

Aluminum Valve Cover 7
Breather Tube 7
Camshaft Bearings Set 3
Camshaft Re grinding Service 3
Camshafts 3
Cast Iron Paint 11
Clutch Pilot Bearing 9
Connecting Rod 3
Connecting Rods Bearing 3
Crankcase Vent Hose 7
Crankshaft Main Bearing Set 3
Cylinder Head Gaskets 10
Cylinder Head Rebuilding Gasket Set 10
Engine Compartment and Chassis Paint 11
Flywheel 9
Freeze Plug Kit 8
Full Engine Overhaul Gasket Set 10
Harmonic Balancer 6
Harmonic Balancer Bolt 9
Harmonic Balancer Rebuilding Service 6
Hydraulic Valve Lifter 5
Motor Mount 3
Motor Mount Rebuilding Service 3
Oil Slinger 9
Piston 4
Piston Ring Set 4
Push Rod 8
Push Rod Cover Gasket 10
Rear Main Seal 9
Rocker Arm Assembly 6
Rocker Arm Assembly Rebuilding 6
Rocker Arm Retainer 6
Rocker Arm Shaft 6
Rocker Arms and Set 6
Spray Gun for Engine Enamel 11
Timing Chain Cover 9
Timing Chain Cover Gasket Set 10
Timing Chain Set 9
Timing Cover Seal 9
Valve Cover Gasket 10
Valve Guide 4
Valve Rocker Cover Part 7
Valve Seat Insert 5
Valve Spring 5
Valve Spring Cap 5
Valve Spring Retainer 5
Valve Stem Seal 5
Valves - Exhaust 4
Valves - Intake 4
Wire Retainer 7

Index

F

Fender Cover 103

Firewall Insulator 63

Insulator Retainer 63

Floor Mats 92

Floor Pan 84

Frame 56

Chassis Paint 57

Front Fenders 59

Apron Clip 60

Cowl Lace Retainer 60

Splash Apron 60

Fuel • Exhaust 36

Air Cleaner to Rocker Cover Hose 36

Air Cleaner Wing Nut 36

Air Filter Element 36

Carburetor to Air Cleaner Gasket 36

Carburetor Bowl Float 36

Carburetor Mounting Gasket 36

Carburetor Stud 36

Carter Baffle Plate 37

Choke Pull Off 37

Choke Stove Pipe Replacement Kit 36

Choke Stove Pipe Insulator 36

Crankcase Ventilation Filter 36

Dash Pot 37

Electric Fuel Pump 38

Exhaust Manifold Heat Pipe 36

Exhaust Manifold French Lock 38

Exhaust Manifold Gasket 38

Fuel Line 38

Fuel Line Clip Kit 38

Fuel Pump 38

Fuel Pump Block-Off Plates 38

Fuel Pump Cam Eccentric 38

Fuel Pump Hardware Kit 38

Fuel Pump Rebuilding Kit 38

Gas Cap 39

Gas Filter 37

Gas Tank Bolt Kit 39

Gas Tank Etch 39

Gas Tank Part 39

Gas Tank Sealer/Liner 39

In Line Gas Filter 37

Intake Manifold Gasket Set 37

Intake Manifold Plug 36

Lead Additive 39

PCV Valve 37

Pinch Clamp 38

Ported Vacuum Switch 37

PVC Valve Clamp 37

PVC Valve Grommet 37

Rod Clip 37

H

Hardware 97

Clip 97

Door Panel Fastener 98

Misc. Retainer 99

Nut 101

Trim Screw 99

Window Bearing 101

Headliners 91

Heating 63

Heater Blower Motor 63

Heater Core 63

Heater Value Insulator 63

Hood 59

Insulation 59

Spray Adhesive 59

Under Hood Lamp Assembly 59

L

Lamp Socket 33

Back-Up and License 33

Headlamp 33

Interior/Dash 33

Parking and Tail 33

License Plate 102

License Plate Frame 103

Literature 96

Assembly Manual 96

BODY MANUAL 96

CHASSIS AND BODY PARTS BOOK 96

OWNERS MANUAL 96

SHOP MANUAL 96

P

Propeller Shaft 48

Constant Velocity Repair Kit 48

Driveshaft Center Bearing 48

Driveshaft Center Bearing Support 48

Driveshaft Universal Joint 48

Pumps Hardware 88

R

Rear Axle 49

Backing Plate Gasket 49

Bearings 50

Brake Drum 50

Bumpers 49

Carrier Gasket 49

Control Arm Bushing 49

Cover Gasket 49

Oil Seal 50

Part 49

Posi Traction Tag 49

Posi-Traction Additive 49

Rear Glass 82

Quarter Window 82

Seals 82

Weatherstrip 82

Rocker 84

S

Seat Belt 90

Hardware Kit 90

Shock Absorbers 56

Springs 56

Coil 56

Coil Spring Insulator 56

Steering 51

Ball Joint 53

Box Kit 50

Brake Reaction Rod Bushing Kit 53

Centerlink 53

Centerlink Rebuild 53

Column Upper Bearing Kit 52

Coupler 52

Fiber Disc 52

Grease Fitting 53

Hose 52

- Idler Arms and Frame Brackets 52
- Pitman Shaft Seal Kit 52
- Pump Kit 52
- Pump Pulley 52
- Pump Rebuild 52
- Pump Revisor Cap 52
- Tie Rod End Adjusting Sleeve 53
- Tie Rods and Ends 53
- Wheel Part 52

Sunvisor Parts 79

Suspension 54

- Front End Rebuilding Kit 55
- Front Wheel Bearing 55
- Lower Control Arm Part 54
- Stabilizer Bar to Frame Bushing 54
- Stabilizer Repair Kit 54
- Upper Control Arm Part 54
- Wheel Grease Seal 55
- Wheel Stud 55

T

Transmission 40

- Auto Transmission Oil Pan Gasket 40
- Automatic Transmission Kit 40
- Neutral Safety and Back- Up Switch 41
- Shifter Cable 40
- Speedometer Cable 41
- Speedometer Cable Lubricant 41
- Transmission Filter Change Kit 40
- Transmission Mount 41
- Transmission Mount Rebuilding Service 41
- Transmission Seal 40
- Vacuum Modulator 40

Trim Kit 91

- Package Shelf Material 91

Trunk 85

- Bumper 85
- Lock and Keys Replacements 85
- Lock Gaskets 85
- Lock Solenoid 85
- Mat 85
- Part 85
- Paint 84
- Weatherstripping 85

Trunk Panel Kits 93

V

Vent Windows 67

- Division Post Cushions 67
- Front Vent Window Seal 67

W

Weatherstripping 70

- Door 72
- Quarter Window 82
- Roof Rail 80
- Trunk Kit 70

Wheels 47

- Chrome Wheel Center Caps & Emblems 47
- Wheel Nut 47

Windows 65

- Front Window Seal 82
- Gastless (Setting Tape) 65
- Optikleen Bottles & Caps 65
- Mirror 79
- Rear Window Seal 81
- Washer Jar Filter 66

- Washer Pump & Repair Kit 66
- Window Chrome 82
- Windshield Seal 65
- Wiper Arms, Blades & Refills 65
- Wiper Hose
- Wiper Jars & Parts 66
- Wiper Motor 66
- Wiper Switch 65