

**Give your  
factory wheels  
that finishing  
touch!**



**Chrome Wheel Center  
Caps and Parts**



**1964-1965** Wheel cap assembly for wheels with 2" hole.  
WC645R.....\$39.50 ea.  
WP645R....(Plastic medallion only)...\$20.00

**1964-1965** Wheel cap assembly for wheels w/ 2 1/8" hole.  
WC645RB.....\$39.50 ea.  
WP645R...(Plastic medallion only)...\$20.00



**1966-1970** Chrome center mag wheel caps. Beautiful die cast chrome.  
WC660 .....\$39.50 ea.

**1966-1970** Mag wheel chrome cap retainer for wheels with 2 1/8" hole.  
WCR650.....\$7.00 ea.



**1966-1970** Mag wheel chrome cap retainer for wheels with 2" hole.  
WCR650S .....\$7.00 ea.

**1966-1970** Riviera wheel cap plastic.  
WP660R.....\$18.00 ea.



**1971-1981** Mag wheel center cap assembly with "R" emblem. For wheels with 2" hole.  
WC714R .....\$39.50 ea.



**1971-1981** Mag wheel center cap assembly with "R" emblem. For wheels w/ 2 1/8"hole.  
WC714RB.....\$39.50 ea.

**Solid Stainless Steel Wheel Nuts**



**1965-1972** We have reproduced these hard-to-find nuts to look identical to the originals. Of course they are far superior to the originals as they will never rust and feature the durability and strength of stainless steel. 1/2" - 20.

WN635 .....\$6.25 ea.  
WN635S.....( Set of 20 ) .....\$96.00 set

**Chrome Wheel Nuts**

(stainless steel capped replacements)



**1964-1981** Wheel nuts (1/2-20. Chrome capped).  
1964-1975: All;  
WN641 .....\$3.00 ea.



**1976-1981** 7/16-20 wheel nuts.  
1976-1981: All.  
WN691.....\$3.25 ea.

**1961-1995** Wheel nuts (1/2-20. Standard).

**1963-1975:** All as required;  
**1976-1995:** LeSabre and Electra all as required.  
WN610.....\$1.75 ea.



# Propeller Shaft (Group 5)

## Driveshaft Parts

**1963** Driveshaft center bearing rubber support (rebuild only).  
BS63R .....\$126.00 ea.



**1964-1970** Driveshaft center bearing rubber support. Sold outright.  
BS619 .....\$92.75 ea.



**1963-1971** All. Driveshaft center bearing.  
DSB611.....\$37.00 ea.

## Universal Joints



**1963-1978** All w/o CV-joint. All as required.  
UJ574.....\$20.00 ea.



**1963-1978** For Cars with CV-Joints where center is recessed for clearance. 1 needed for each cv-joint.  
UJ574A.....\$26.25 ea.



www.oldbuickparts.com  
**908-369-3666**

## Constant Velocity Repair Kits



**1964** Late models;  
**1965** All.  
CVK615 .....\$59.00 ea.



**1966-1968** All.  
CVK668 .....\$59.00 ea.

**1971-1973** All rear. Without ball.  
CVK713 .....\$22.25 ea.

**1971-1976** All rear. Includes ball.  
CVK716 .....\$39.50 ea.

## Brake Drums (5.809)



Cast Iron replacements.  
(When replacing aluminum front drums - purchase in pairs.)

### Front

**1963-1965** Riviera  
BD614F .....\$112.50 ea.

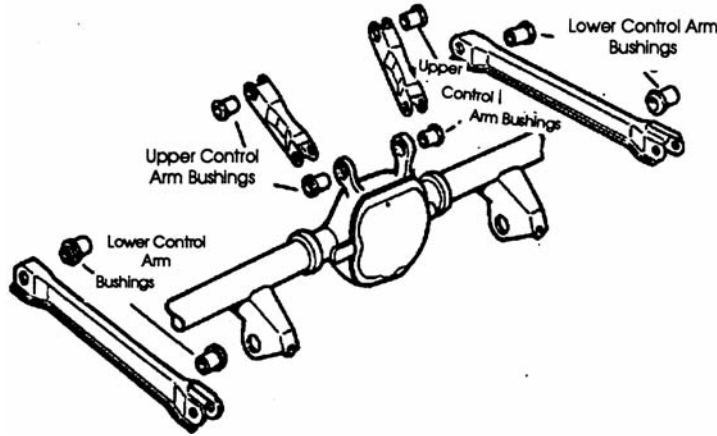
**1966-1967** Riviera  
BD667 .....\$112.50 ea.

**1968-1970** Riviera.  
BD680 .....\$113.50 ea.

### Rear

**1961-1964** Riviera  
BD614 .....\$109.00 ea.

**1965-1970** Riviera  
BD650R .....\$109.00 ea.



### Rear Axle Parts

1963-1970 Rear axle radius "Panhard Bar" rod bushing.  
Two per car.  
RRB600.....\$49.50 set



### Rear Axle Posi-Traction Tag



All Models.  
PT635.....\$5.75 ea.

### Rear Axle Posi-Traction Additive

All Years as required. For Posi Rears.  
Reduces chatter and noise. Genuine GM.  
AL300.....\$11.75 ea.



### Rear Axle Control Arm Bushings

1963-1965 All. Four pair needed per car.  
RAB635R .....\$144.75 pr.  
RAB635RS.....(Set of 4 pair).....\$569.00 set  
\* Note. RAB-652 below can be used for 1963-1965 but are shorter in length.



1966-1970 All. Four pair needed per car.  
RAB652 .....\$29.50 pr.  
RAB652S.....(Set of 4 pair) .....\$106.50 set

1971-1978 All upper. Two pair needed per car.  
RAB716U .....\$27.50 pr.

1971-1978 All Lower. Two pair needed per car.  
RAB716L .....\$24.50 pr.

### Rear Wheel Bearings (5.855)

1963-1967 All.  
RWB637 .....\$47.50 ea.  
1968-1970 All.  
RWB680 .....\$54.50 ea.



1971-1975  
1971-1972: All;  
1973-1975: With 9 3/8" ring gear.  
RWB696 .....\$40.75 ea.

### Pinion Seals (5.445)

1963-1970 all  
PS630 .....\$20.00 ea.

### Rear Axle Gaskets

1963-1965 All. (Carrier).  
RCG560 .....\$9.00 ea.  
1966-1970 All. (Cover).  
RAG660.....\$8.75 ea.  
1971-1975 All. (Cover).  
RAG715 .....\$8.50 ea.

### Rear Axle Backing Plate Gaskets (5.819)

1963-1967 All.  
AG562 .....\$4.50 ea.

### Rear Axle Oil Seal (5.822)

1963-1970 All.  
OS630.....\$11.00 ea.  
1971-1976 all with 8.5" ring gear & 2 7/8" seal.  
OS716.....\$11.50 ea.

