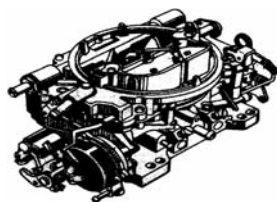


Carburetor Rebuilding and Restoration Service



Each carburetor is totally disassembled and cleaned in a hot tank solution.

Then, each component is correctly plated, painted and colored to duplicate it's original factory finish. The carburetor is reassembled using all proper gaskets, pumps, needles and seats, etc. and new correct screws. Finally, all bench adjustments are made to factory specs. This includes correct shimming of the start switch. The result, the best rebuilt and restored carburetor available in the Hobby.

NOTE: *This is not an area to skimp on your restoration. Demand the best!*

- 1961-1972** All 2bbl Carburetors w/ Bakelite switch.
CRS390.....\$329.00 ea.
- 1961-1972** 4bbl. Carburetor rebuilding service.
CRS520.....\$389.00 ea.
- 1964-1966** All Carter 2 x 4 sets.
CRS636D.....\$692.00 ea.

Carburetor Mounting Gaskets



- 1961** All Stromberg 2BBL Carbs.
CMG551.....\$4.75 ea.
- 1961-1964** All Carter and Rochester 2BBL Carbs.
CMG554.....\$4.50 ea.
- 1965-1967** All 2BBL.
CMG627.....\$9.75 ea.
- 1961-1965** All 4BBL;
 1966 4BBL w/square bore;
 1967 300, 340 4bbl.
CMG576.....\$4.75 ea.
- 1966** 425 Engine;
1967All 400, 430, 455 with Rochester.
CMG667.....\$6.50 ea.
- 1969-1975** All 400, 430, 455 with Rochester 4BBL.
CMG695.....\$4.75 ea.

Carter Baffle Plate



1965-1966 GS with Carter AFB 4bbl. Stainless steel plate between carb. and intake manifold. This plate is essential for protection against disintegration of aluminum base of carb. It is also necessary for proper idle and smooth running. Recommended is gasket, baffle plate, gasket.

BP576.....\$16.25 ea.

Carburetor Bowl Floats

- 1961-1965** 215, 300 Rochester 2 GC. Brass.
CF615R.....\$24.50 ea.
- 1965-1967** Carter AFB 4BBL. Brass. (2 needed per car)
CF577C.....\$34.50 ea.
- 1966-1967** Rochester 4BBL.
1966 All; **1967** Early.
CF677R.....\$19.50 ea.
- 1967-1974** Rochester 4BBL.
1967 Late; **1968-1974** All.
CF674R.....\$19.50 ea.

Choke Stove Pipe Replacement Kit

1961-1967

All as required.

CSK530.....\$18.25 kit



Carburetor Stud

Made of stainless steel.

1968-1975 All. 350, 400, 430, 455, 4bbl. and 4-1/8" long.

CS685.....\$6.00

Carburetor Kits

Carter

1961-1967 All 4 BBL and 2-4 BBL. Numbers: 3088, 89, 3297, 3503, 79, 3633, 3635, 3665, 3826, 3827, 3921, 22, 23, 4053, 54, 55, 56, 59, 60, 61, 4179, 4180, 81, 4331, 4332, 4344, 4453.
CKC617.....\$49.50 ea.

Rochester

1961-1963 All 215 V8, 4BBL.
Numbers: 7019796, 7020043, 045, 7023044, 045.
CKR613.....\$36.50 ea.

1961-1965 All 215, 300 and 364, 2BBL. Numbers: 7019042, 090, 093, 7020146, 147, 7023046, 047, 142, 7024046, 047, 7025046, 047.
CKR615.....\$39.50 ea.

1964 300 V8, 4BBL. Numbers: 7024044, 7024045.
CKR64.....\$35.00 ea.

1964-1965 All Rochester 1bbl.
CKR645.....\$44.75 ea.

1965-1966 401 V8, 4BBL. Numbers: 7023040, 7023143, 7024040, 7025040, 7025140, 7026040.
CKR636.....\$39.50 ea.

1966 (Early) 400, 401, 425;
1967 400, 430, 4BBL. Numbers: 7026240, 242, 7027146, 147, 148, 149, 7027240, 241, 7036240, 7036242.
CKR667.....\$39.50 ea.

1966-1969 300, 340, and 350 V8, 2BBL. Numbers: 7026046, 047, 146, 147, 7027044, 045, 046, 049, 7028140, 7028141, 7029140, 141, 7036046, 048, 146, 248, 7037034, 7037044, 17054649.
CKR669.....\$33.50 ea.

1967 Late; With 400, 430 and 455 engines. 4MV 4BBL.
Numbers: 7027244, 246, 248, 7041304, 305, 306, 307, 308, 309.

1968-1972 Numbers: 7028240, 242, 243, 246, 247, 248, 7029240, 241, 242, 243, 7029246, 7040240, 7040243.
CKR670.....\$35.00 ea.

1968-1974 350, 455, 4BBL. Numbers: 7028244, 245, 7029244, 245, 7040244, 245, 7041245, 7041544, 7042244, 245, 944, 7043244, 245, 246, 7044244, 246, 544, 7044546, 17054900, 901, 902.
CKR684.....\$29.00 ea.

1970-1972 455 HI-PERF, 4BBL. Numbers: 7040246, 247, 7041242, 243, 540, 7042240, 242, 243, 940, 7042942, 7043240, 242, 243, 7044240, 241, 252, 540.
CKR702.....\$27.50 ea.

1970-1974 350 and 455, 2BBL. Numbers: 7040142, 143, 148, 444, 446, 7041142, 143, 442, 7042142, 7042143, 842, 7043142, 143, 7044141, 142, 144, 442, 7044444, 17054651, 17055003, 17057350, 351.
CKR704.....\$26.50 ea.

Stromberg

1961 All. WW 2 BBL #7-14.
CKS61.....\$49.50 ea.

Fuel • Exhaust (Group 3)

Intake Manifold Gaskets (3.270)



- 1961-1963** All V-8. Large metal valley pan.
IMG613\$24.25 ea.
- 1964** All 300 Engines.
IMG64\$19.50 ea.
- 1964-1967** All 225 V-6 Engines.
IMG647\$14.25 ea.
- 1965-1967** All 300 Engines.
IMG657\$16.50 ea.
- 1965-1966** All GS-400.
IMG576.....\$11.75 ea.
- 1966-1967** All 340 Engines.
IMG667\$16.50 ea.
- 1967-1971** All 400, 455 Engines.
IMG671\$47.50 ea.
- 1968-1972** All 350 Engines.
IMG685\$39.50 ea.
- 1972** All 455 Engines.
IMG726\$39.50 ea.

Accelerator Pedals



1964-1967 All. Correct ribbing and ball sockets, and cut-out at top for throttle rod exactly as original.
GP647.....\$16.50 ea.

- 1968-1972** All.
GP682.....\$16.50 ea.



Pedal Return Spring



- 1968-1972** All.
PS682\$7.50 ea.

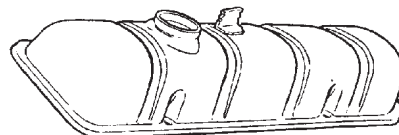
Pedal Rod Pin



- 1968-1972** All.
PR682\$4.50 ea.



CP647



Valve Cover / Intake Manifold Ventilation Grommets

- 1963-1974**
1963-1967: Valve cover, All;
1967-1974: Intake manifold, All.
- VG634\$ 7.70 ea.
- 1964-1967** All. Solid rocker cover plug.
CP64711.75 ea.
- 1970-1974** Valve cover (rubber).
VG704.....\$4.25 ea.

Ask About Chrome Plating Your Rocker Covers!



GF636A



GF682



GF636

Gas Filters /Elements

CARS#:	YEARS:	APPLICATION:	PRICE:
GF602	1961	All with AC	~~~~~\$9.50
GF572	1961-1962:	All without AC	~~~~~\$7.50
GF627	1962-1967:	1962-1967 all v-6	
		1966 GS 400 with A.T. without A.C.	
		(this is a "stone" element)-----	\$7.50
GF636A	1962-1966:	All with AC,	~~~~~\$12.50
GF636	1963-1966:	All without AC	~~~~~\$10.75
GF675	1967:	All V8;	
	1968-1972:	All L-6	
	1968-1972:	All V8 w./ 2 Bbl. Carb.	~~~~\$3.50
GF682	1968-1972:	All V8 w./ 4 Bbl. Carb.	~~~~\$3.50



All years replacement. Clear in-line gas filter. Great for near gas tank or frame installation. Important for insuring clean fuel to fuel pump.
GF100.....\$4.50 ea.

In Line Gas Filters



GF140.....For 1/4" ID Hose.....\$9.25 ea.

GF516.....For 5/16" IDHose.....\$9.25 ea.



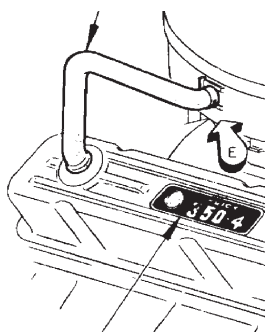
GF516C...For 5/16" ID Hose(clear)...\$6.50 ea.

GF380.....For 3/8" ID Hose.....\$9.25 ea.



Breather Tubes (Air Cleaner to Rocker Cover)

Breather Tube



1968-1969 All 350 and 400 4BBL..
VT689.....\$18.50 ea.



1970-1971 all V-8;
1972 all 455 engines.
VT704.....\$17.50 ea.



Pinch Clamps (corbin clamps)

For fuel lines, vacuum lines and PCV hoses

CARS#:	YEARS:	APPLICATION:	PRICE:
PC380	All	3/8" OD hose ~~~~~	\$ 1.00
PC716	All	7/16" OD hose ~~~~~	\$ 1.00
PC150	All	1/2" OD hose ~~~~~	\$ 1.00
PC916	All	9/16" OD hose ~~~~~	\$ 1.00
PC580	All	5/8" OD hose ~~~~~	\$ 1.00
PC1116	All	11/16" OD hose ~~~~	\$ 1.25
PC340	All	3/4" OD hose ~~~~~	\$ 1.00
PC100	All	1" OD hose ~~~~~	\$ 1.25

Dash Pots



1961-1963 All with 4 BBL carburetors.
DP613.....\$16.50 ea.

1961-1971

1961-1963: All V-8, 2 BBL;
1962-1963: All V-6 with auto trans.;
1965-1971: All with auto trans.

DP611.....\$23.50 ea.



Ported Vacuum Switch (2.410)

1968-1972 All 8 cylinder except 1972
3 Port 2 terminal switch.
PVS684.....\$49.50 ea.

PCV Valve



CARS#	YEARS	APPLICATION	PRICE
PCV637	1963-1967:	V-6 ~~~~~	\$ 6.75
PCV635	1963-1972:	All V8 ~~~~~	\$ 4.75

PCV Valve Clamp

CARS#	YEARS	APPLICATION	PRICE
HC100W	ALL	on PCV Hose ~~~~~	\$ 1.10

PCV Valve Grommet

CARS#	YEARS	APPLICATION	PRICE
VG634	ALL	~~~~~	\$ 7.75

Choke Pull-Offs (3.755)

(For Rochester 4bbl carburetors)



1968-1974 All 350, 400, 455 engines. Front or Rear.
CPO684.....\$16.00 ea.
1971 All 455. Rear.
CPO71.....\$24.75 ea.
1972-1974 All 350 and 455 engines. Rear.
CPO724.....\$14.25 ea.

Rod Clips



1961-1966 Carburetor throttle rod clip. 1/4" rod diameter.
RC460.....\$0.75 ea.

Wire Hose Clamps



For 9/16" diameter hose.

HC916W\$ 1.00 ea.
HC916WP.....(5 Pack).....\$ 3.25 ea.

For 5/8" diameter hose.

HC580W\$ 0.75 ea.

For 3/4" diameter hose.

HC340W\$ 0.75 ea.
HC340WP.....(5 Pack).....\$ 3.25 ea.

For 13/16" diameter hose.

HC1316W\$ 1.00 ea.
HC1316WP.....(5 Pack).....\$ 4.25 ea.

For 15/16" diameter hose.

HC1516W\$ 0.75 ea.
HC1516WP.....(5 Pack).....\$ 4.25 ea.

For 1" diameter hose.

HC100W\$ 1.05 ea.
HC100WP.....(5 Pack).....\$ 4.25 ea.

For 1-1/4" diameter hose.

HC114W\$ 1.00 ea.
HC114WP.....(5 Pack).....\$ 5.00 ea.

For 2" diameter hose.

HC200W\$ 2.75 ea.
HC200WP.....(5 Pack).....\$12.25 ea.

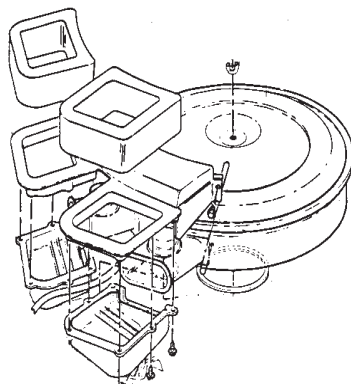
Fuel • Exhaust (Group 3)

GS Ram Air Foam Seals

Our seals are manufactured just as the originals. They have gray inner foam surrounded by dark gray outer skin.

1969-1971 models use 2 square seals.

1972 models use one square and one triangular seal. Seals for 350 cid. engines are 2 5/8" high. Seals for 455 cid. engines are 2" high.



1969-1971 GS350.
RAS691.....\$28.25 pr.

1969-1971 GS400 and GS455.
RAS691B.....\$28.25 pr.

1972 GS-350.
RAS72.....\$28.25 pr.

1972 GS-455.
RAS72B.....\$28.25 pr.



Air Cleaner Vacuum Motor

1968-1972 All as required.
VM694L.....(fits L.H. side of snorkel)..... TOS
VM694.....(fits R.H. side of snorkel).....TOS

Crankcase Ventilation Filter On Side Of Air Cleaner



1968-1972 All.
CVF682.....\$ 4.75 ea.



Air Filters

CARS#	YEARS	APPLICATION	PRICE
6 Cylinder			
AF625	1962-1972:	All ~~~~~	\$ 11.25
8 Cylinder			
AF607	1961-1967	All V-8 exc. 1967 GS~~~~	\$15.00
AF646	1965-1966	GS w/ 2 X 4bbl carbs ~~~~	\$28.75
AF636	1965-1966:	400 (4 Bbl.) ~~~~~	\$17.50
AF67	1967:	GS-340 ~~~~~	\$18.75
AF625	1968:	350 (2 Bbl.) ~~~~~	\$11.25
AF680	1968:	All with (4 Bbl.)	
	1969-1972:	All GS; All 455 ~~~~~	\$12.25
AF698	1969-1972:	350 Eng. Exc. GS ~~~~~	\$11.75

Air Cleaner Wing Nuts

CARS#	YEARS	APPLICATION	PRICE
WN530	1961-1970:	Air cleaner wing nut (1/4" -20 thread) ~~~~~	\$ 1.75
WN710	1971-1972:	Air cleaner wing nut (5/16" -18 thread) ~~~~~	\$ 1.75

Carburetor to Air Cleaner Gaskets

1966-1975 All 400, 430, 455 with Rochester 4BBL.
BG5152.....\$3.75 pr.

Throttle Cables



1968-1971 thru 1971 all 400 and 455 engines.
TC681.....\$39.50 ea.

Throttle Cable Bracket



1968-1972 All 400 and 455 motors with 4 barrel carburetor.
TCB681.....\$20.00 ea.

Fuel Pumps



CARS#	YEARS	APPLICATION	PRICE
FP613RS	1961-1962	All; 1963 all V-6; 1963 V-8 1st type w/ pump # 4827 (Rebuilding Service only)	~\$79.25
FP635	1963-1965	215 Engine Pump #40001; 225, 300 Engine	~\$44.00
FP575	1965	GS	~\$39.75
FP66S	1966	225, 300, 340 Engine	~\$39.50
FP66	1966	400 without air conditioning	~\$44.50
FP67	1967	225, 300,340 w/o AC or return fuel line	\$49.50
FP67A	1967	300, 340 w/ AC or return fuel line	\$39.00
FP685	1968-1972	350 w/o AC	~\$38.50
FP682A	1968-1972	350 with AC	~\$39.50
FP674	1967-1969; 1970-1972	400 Eng (Except STAGE 1); 455 (Except GS)	~\$44.25
FP683	1969-1970; 1971-1972	455 GS /STAGE 1; GS	~\$54.50

Fuel Pump Block-Off Plates

1961-1972 All as required.
CP300.....\$10.50 ea.



Fuel Pump Cam

Mounts on Camshaft to Operate Fuel Pump



1961-1972 All 225, 300, 340 and 350 engines.
FPC615\$87.50 ea.

Fuel Pump Hardware Kits

1965-1966 all 400, 401, 425 engines. Correct bolts/washers.
FPH406\$4.00 ea

Fuel Pump Rebuilding Kits



1961-1963	
1961-1962: All pump #4827;	
1963: All V-6.	
FPK613.....	\$69.50 ea.
1965 GS 400.	
FPK575.....	\$59.50 ea.
1963-1965	
1963: All 215 Engines;	
1964-1965: All 225, 300 engines #4001, 1 pump.	
FPK635.....	\$67.50 ea.

Electric Fuel Pump



1961-1972 All. 12V universal replacement pump.
FP12.....\$68.50 ea.

Fuel Lines

Fuel Pump to Carburetor

CARS#	YEARS	APPLICATION	PRICE
FL350	1968-1972:	All 350-4	~\$26.50
FL455	1968-1972:	400, All 455-4	~\$26.50
FL455S	1968-1972:	STAGE 1 455	~\$26.50
FL70	1970:	All 4 Bbl. carburetors	~\$26.50



www.oldbuickparts.com
908-369-3666

Fuel • Exhaust (Group 3)

Exhaust Headers



Our headers are custom made for their specific applications and legal for off-highway use only. Available in metallic ceramic coating or uncoated. Collector size is 3". All headers come with collector reducers, all mounting hardware, premium gaskets and detailed instructions.

1968-1972 All 350 engines

EH680C.....Ceramic coated\$595.00 set
 EH680.....Uncoated\$395.00 set

1964-1972 All 400, 430, 455 engines

EH648C.....Ceramic coated\$643.00 set
 EH648.....Uncoated\$416.14 set

Exhaust Manifold Gaskets



EMG576



EMG676

1961-1963 All 215 V-8 Engines.

EMG613\$12.75 pr.

1962-1967 All. 198 and 225 V-6 Engines.

EMG627\$14.50 pr.

1964-1967 All 300 and 340 Engines.

EMG647\$13.00 pr.

1965-1966 All 400 Engines.

EMG576\$11.75 pr.

1967-1976 All 400 and 455 Engines.

EMG676\$15.00 pr.

1968-1981 All 350 Engines.

EMG681\$17.00 pr.

Brass Nuts. Tall. All years as required. 3/8-16. Used on manifolds, pipes, exhaust, trim etc. Solid brass.

N6P.....\$3.75 pr.



Exhaust Manifold French Locks



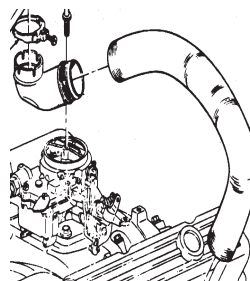
1964-1966 GS400 (6 per car) Stainless steel.

FL576\$3.50 ea.



1964-1966 GS400 (4 per car) ; 1966 225, 33, 340 engine as required. Stainless steel.

FL626\$1.75 ea.



Exhaust Manifold Heat Pipe

(Air Cleaner to Exhaust Manifold)

1970-1974 All

HP704\$14.50 ea.

Rear Muffler Hangers

1964-1972 All models with dual exhaust.

MH642L.....Lefthand Side\$13.50 ea.

MH642R.....Righthand Side\$13.50 ea.



Tail Pipe Hangers

1964-1972 All models with dual exhaust. Fits either side.

TPH642TOS

1971-1972 Exhaust Tips

1971-1972 All with N25 exhaust thru the bumper option. Chrome plated steel as original. Approx. 2.25 id to allow room for stock 2" pipes.

EE712.....\$246.50 pr.





Gas Tanks

(for all cars exc. wagons)

1964-1967 Without vent. Does not come with filler neck. 21.5 gallon.
GT647\$363.00 ea.

1964-1967 With vent. Without filler neck. 20 gal.
GT647V\$197.00 ea.

1968-1969 All. Includes filler neck. 2 vents. 20 gal.
GT689TOS

1970 Without E.E.C. (1 Vent). Does not include filler neck. 20 gallon.
GT70V\$208.75 ea.

1970 Without E.E.C. (2 Vents). Does not include filler neck. 20 gallon.
GT70V2\$187.75 ea.

1970 With E.E.C. (3 Vents). Does not include filler neck. 20 gallon.
GT70V3\$194.00 ea.

1971-1972 All. Filler neck included. 3 vents. 20 gal.
GT712\$207.25 ea.

Gas Tank Straps



1964-1967 All. As original.
GS647\$24.50 pr.
GS647S...Stainless steel...\$69.50 pr.

1968-1972 All. As original.
GS682\$24.50 pr.
GS682S.....Stainless steel.....\$69.50 pr.

Gas Tank Caps (3.028)



1961-1963 All;
1964-1970 All Wagons. Vented.
GC575\$9.00 ea.

1964-1970 All Exc. Wagons. Replacement cap. Not vented.
GC640\$7.50 ea.

1971-1972 All.
GC714\$9.75 ea.



Gas Tank Sealer/Liner

Alcohol resistant. Quart can.

TS1\$30.00 ea.

Gas Tank Etch

Removes light rust and will prep for sealer/liner. 16oz.

TE1.....\$16.00 ea.



Lead Additive

All Buick engines needing leaded gas.

LA1\$13.50 ea.

Gas Tank Bolt Kit

1961-1967 All as needed. Two 3/8-16 x 3" bolts and two (2) lock nuts. Brightly zinc plated.

GB610.....\$5.50 kit



Gas Tank Sending Units

(except wagons)



1968-1970 All with dual fuel lines.
SU680.....\$49.50 ea.



1968-1970 All with 350 engines and single fuel lines. Not for wagons.
SU680S.....\$46.50 ea.



1971-1972 All 350 engines with A.C. or dual fuel line;
1971-1972 All 455 engines.
SU712.....\$54.50 ea.



1971-1972 All 350 engines with single fuel line.
SU712S.....\$46.50 ea.

1971-1972 All 350 engines with A.C. or dual fuel line;
1971-1972 All 455 engines.
"GENUINE GM NOS"
SU712NOS.....\$79.50 ea.

Sending Unit Gaskets

1961-1963 All;
GG355.....\$3.75 ea.

1964-1972 All;
GG642.....\$5.00 ea.

