

### New Buick Chrome Wheels (5.803)

At last, a source for new 14" and 15" Skylark and GS chrome wheels. These wheels are show and road ready. They come heavily chrome plated with recessed areas already satin black painted. Bolt circle is 5 on 4 3/4". Made in standard or custom sizes. Check your back-spacing requirements before ordering.

14 x 6 Chrome Wheel w/ 3 1/2" backspacing.  
GSW146.....\$209.50 ea.

14 x 7 Chrome Wheel w/ 4" backspacing.  
GSW147.....\$209.50 ea.

15 x 7 Chrome Wheel w/ 4" backspacing.  
GSW157.....\$209.50 ea.

15 x 8 Chrome Wheel w/ 4 1/2" backspacing.  
GSW158.....\$209.50 ea.



**Please see next page  
for Wheel Caps**



### Solid Stainless Steel Wheel Nuts

**1969-1972** We have reproduced these hard-to-find nuts to look identical to the originals. Of course they are far superior to the originals as they will never rust and feature the durability and strength of stainless steel. 7/16" - 20.

**Will also fit 1965-1968.**

WN695 .....\$6.25 ea.

WN695S.....( Set of 20 ) .....\$96.00 set

### Wheel Nuts

#### Stainless Steel Capped Replacement



These nuts are an inexpensive replacement and do not look authentic.

**1964-1972** All. 7/16-20.

WN691.....\$3.25 ea.

WN691S.....( Set of 20 ).....\$44.25 set

#### Standard Acorn Nut Replacement

**1964-1972** All. 7/16- 20.

WN611.....\$1.75 ea.

WN611S.....( Set of 20 ).....\$23.75 set



1961 thru 1963 All. Rear Only

WN613.....L.H. Thread.....\$1.75 ea.

WN611.....R.H. Thread.....\$1.75 ea.

#### Front Wheel Studs

1967-1970 GS400 and GS455 with drums;

1970-1972 Skylark and GS with disc brakes.

7/16"-20 x 1 1/2". 11/16" deep.

WS672.....\$1.25 ea.

# Wheels (Group 5)

## 1965-1970 Chrome Wheel Caps

We have been selling these superior quality caps since 1991. They come in kit form. You receive chrome plated fluted cap, cap retainer, anti-theft bar, screws, plastic emblem, emblem pad and directions. These caps are guaranteed to be the best available at any price. We are licensed by GM to sell the trademark items below.



- 1965 With "Fat Bird" insert.
- WC65 .....\$42.50 ea.
- 1965 Set of Four Kits.
- WCS65.....\$159.50 set



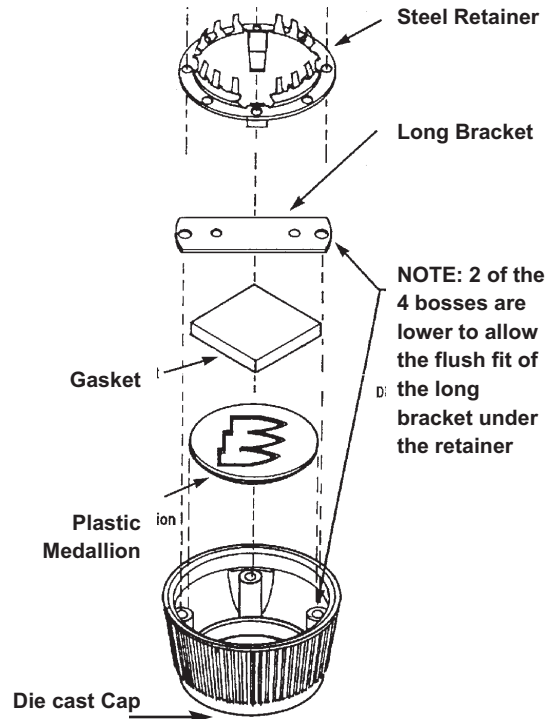
- 1966-1967 Exc GS With "Thin Bird" insert.
- WC667 .....\$42.50 ea.
- 1966-1967 Set of Four Kits.
- WCS667.....\$159.50 set



- 1967 GS
- 1968-1970 With "Tri Shield" insert.
- WC680 .....\$42.50 ea.
- 1968-1970 Set of Four Kits.
- WCS680.....\$159.50 set



- 1965-1970 Cap only without medallion.
- WC650 .....\$30.00 set



## Wheel Plastics



- 1965 Wheel Plastic, "Fat Bird".
- WP65 .....\$18.00 ea.
- (will also fit "spinner" wheel covers with 2 1/16" diameter center.)



- 1966-1967 Wheel Plastic "Thin Bird".
- WP667 .....\$18.00 ea.



- 1967-1970 Wheel Plastic, "Tri Shield".
- WP660T .....\$18.00 ea.



- 1971-1972 Wheel Plastic, "Tri Shield".
- WP712 .....\$18.00 ea.



## 1965-1970 Cap Retainer Clips Center Cap To Wheel ( Included In Kits )

- 1965-1970 All.
- WCR650 2-1/8" hole.....\$7.00 ea.
- WCR650S 2" hole.....\$7.00 ea.

## 1971-1972

## Wheel Cap and Medallion



- 1971-1972 All.
- WC712.....\$39.50 ea.



- 1977-1987 All. With 3" caps.
- WC777.....\$39.50 ea.

### Propeller Shaft Center Bearing Support



**1962-1963** All. Steel retainer with rubber collar.  
BS623.....\$47.25 ea.



Center Bearing for above. Fits **1961-1963** All.  
DSB611 .....\$37.00 ea.

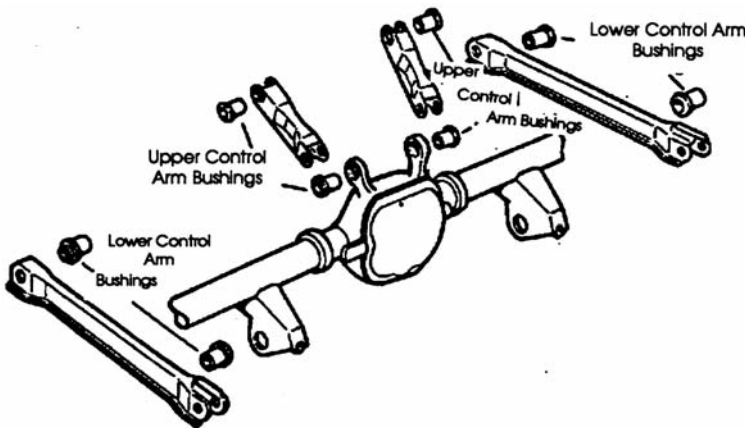
### Universal Joints



**1961-1963** Front and rear. 4 per car.  
UJ613.....\$25.25 ea.



**1964-1972** All. Front and rear.  
UJ574.....\$20.00 ea.



### Boxed Lower Control Arms

**1964-1972** All. Buick used boxed lower control arms on GS models to improve handling and performance. Our heavy duty boxed control arms upgrade your Skylark or replace the weaker units found on GS models. Available with Rubber or Urethane bushings

CA642R.....(Rubber Bushings).....\$177.75 pr.  
CA642U.....(Urethane Bushings).....\$185.50 pr.



### 1965-1967 Traction Bars

Brand new GM A Body cars factory traction bars that came on most all 4-speed manual transmission cars. Eliminates rear wheel hop.

TB647A.....\$79.50 pr.

### Rear Axle Control Arm Box Kit



**1964-1972** All. Heavy gauge stamped steel inserts are welded into lower control arm for increased strength and better handling. Kit contain 2 inserts for complete job.  
BK642.....\$35.50 ea.

### Rear Axle Control Arm Bushings

**1961-1963** All upper. 2 pair needed per car.  
RAB613U.....\$95.75 pr.  
**1961-1963** All lower, front. 1 pair needed per car.  
RAB613LF .....\$74.75 pr.  
**1961-1963** All lower, rear. 1 pair needed per car.  
RAB613LR.....\$143.50 pr.  
**1964** All upper front. 1 pair needed per car.  
RAB64UF .....\$28.25 pr.  
**1964** All upper rear. 1 pair needed per car.  
RAB64UR.....\$90.25 pr.  
**1965-1972** All upper and lower ( 4 pair per car ).  
RAB652 .....\$29.50 pr.  
RAB652S.....( Set of 8 (4 pair) ).....\$106.50 set

### Rear Axle Control Arm Bolt Kit



**1964-1972** All. Premium grade 8 bolts with locking nuts. Enough hardware for both lower control arms.  
ABK642 .....\$30.25 ea.



### Rear Axle Anti-Sway Bar (Complete with Hardware)

**1964-1972** All. 1"  
SB642R.....\$139.50 ea.

# Propeller Shaft • Rear Axle (Group 5)



## Rear Wheel Bearings (5.855)

- 1961-1963** All.  
 RWB613 .....\$47.00 ea.  
**1964-1968** All except Sportwagon and GS.  
 RWB648 .....\$50.50 ea.  
**1964-1965**  
     **1964-1965:** Sportwagon;  
     **1965:** GS.  
 RWB645 .....\$147.50 ea.  
**1966-1968** GS and Sportwagon. 2 7/8" diameter bearing.  
 RWB667 .....\$103.50 ea.  
**1968-1970** All with 12 bolt cover.  
 RWB689 .....\$20.75 ea.  
**1969-1972** All except Sportwagon and 12 Bolt cover.  
 RWB692 .....\$19.50 ea.  
**1969** Sportwagon.  
 RWB696 .....\$37.50 ea.

## Rear Axle Oil Seals (5.822)



- 1961-1963** All Special and Skylark.  
 OS613 .....\$15.00 ea.  
**1964-1965** All; **1966-1968** all exc. GS and Sportwagon.  
 OS648 .....\$11.50 ea.  
**1966-1968** GS and Sportwagon.  
 OS668 .....\$14.50 ea.  
**1968-1969** All Canadian built; **1970** w/ 12 bolt rear.  
 OS681 .....\$16.50 ea.  
**1969** All Special and Skylark except Sportwagon.  
 OS69 .....\$22.50 ea.  
**1970-1972** Skylark and GS with 9.375 rear gear.  
 OS709 .....\$9.50 ea.



## Axle Housing Bumper (5.395)

- 1964-1972** All.  
 AB642 .....\$15.00 ea.

## Rear Axle Pinion Seal (5.445)

- 1961-1963** All.  
 PS613 .....\$16.50 ea.  
**1964-1967** All.  
 PS647 .....\$19.00 ea.

## Rear Axle Cover

- 1964-1972** All 10 bolt rears. Bare steel, ready to paint.  
 AC642 .....\$37.50 ea.

## Rear Axle Cover Gaskets

- 1961-1963** All.  
 RAG613 .....TOS  
**1964-1970** All 10 bolt.  
 RAG640 .....\$8.75 ea.  
**1968-1970** All 12 bolt.  
 RAG680 .....\$8.75 ea.



## Rear Axle Posi-Traction Tag

- 1961-1972** All "Posi".  
 PT635 All .....\$5.75 ea.



## Rear Axle Posi-Traction Additive

- All years as required. For Posi Rears. Reduces chatter and noise. Genuine GM.  
 AL300 .....\$11.75 ea.



www.oldbuickparts.com  
**908-369-3666**